

SMART ROTARY EGLU AUTODOOR

Assembly guide



Omlet

READY TO GO AUTO?

Your new Rotary Autodoor is here, and with a few simple steps you can have it up and running like clockwork.



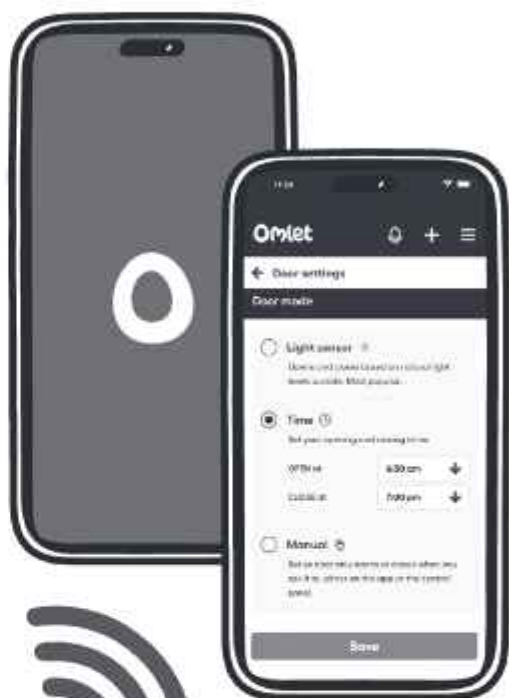
Watch our step by step video to get it right first go.



www.omlet.us/how_to_build

SMART MOVE

Scan to download the Omlet app and make your Autodoor smart. If only being smart was always that simple.



- Omlet's Smart Rotary Eglu Autodoor is designed for use solely as an automated way to open and close access to a chicken coop. It is not a device that will care for your chickens. As the owner you will still need to carry out all the routine daily checks to ensure the health and safety of your chickens, such as ensuring your chickens have access to food and water.
- Please read the instruction manual provided before using this product.
- You must follow the assembly instructions to make sure the product works as intended.
- The product is only to be used for its intended purpose.
- There is a danger of trapping your chickens so keep the product free from dirt and obstructions in order to ensure correct operation of the crush detector.
- The Smart Rotary Eglu Autodoor is designed for use with adult chickens. Disable product if there are chickens under 15 weeks of age in the chicken house.
- Check your chickens every morning to ensure they have access to food and water.
- Do not rely solely on this product to care for your chickens.
- Keep your fingers away from the moving door.
- Ensure excess cable is stowed to avoid tripping or accidental pulling.
- Make sure that the control panel is completely assembled before turning the power on.
- Do not disassemble the control panel when it is wet.
- Ensure that the product is securely attached before it is operated.
- Children must be supervised when using the Smart Rotary Eglu Autodoor - it is not a toy.
- Any other use beyond what is specified shall be considered as improper use. Any direct commercial or industrial use is also deemed to be improper. Omlet is not liable for any damage resulting from such use. The user alone bears the risk.

- 15 What you have received
- 18 What you will need
- 20 Exploded diagrams of Autodoor & Control Panel
- 23 Assembly to Eglu Go
- 38 Assembly to Eglu Cube
- 52 Assembly to Eglu Pro
- 68 Control Panel Assembly
- 73 Control Panel Mounting
- 85 Quickstart Guide
- 88 Calibration
- 88 Change Language
- 89 How do you want to use the Smart Rotary Eglu Autodoor?
- 89 Manual Mode
- 90 Time Mode
- 92 Light Mode
- 136 Emergency Fail Safe/ Troubleshooting

What you have received

106.0001 Boxed Rotary Autodoor



X1
Gear Case
06.0005



X1
Base
106.0008



X1
Door Switch
106.0017



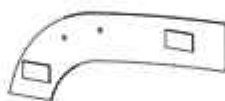
X1
Retaining Bracket
106.1002



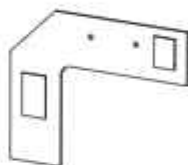
X1
Control Panel
107.0014



X1
Mounting Plate
014.1135



X1
Switch Template
Go
106.1036



X1
Switch Template
Cube & Pro
106.1037



X1
2m UK
Power Supply
810.1220

or
order
you
of
power
supply
or
alternatively



X1
2m US
Power Supply
810.1221

or
order
you
of
power
supply
or
alternatively



X1
2m AUS
Power Supply
810.1222

or
order
you
of
power
supply
or
alternatively



X1
2m EU
Power Supply
810.1223

106.0010 Rotary Autodoor Fixings Pouch



X1
Base Support
106.0014



X1
CP Mount Tape
106.1047



X2
Machine Screw
Pozi Pan
M4 x 8mm
800.0439



X4
Machine Screw
M4 x 9mm
Countersunk
800.0441

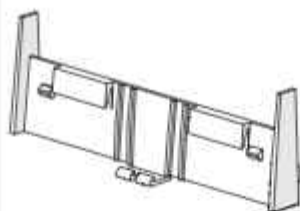


X2
Self-Tapping
Plastite Screw
4x20mm
800.0474



X4
Cable Tie
800.0477

106.0012 Rotary Autodoor Go Fixings



X1
Go
Front Clip
106.1005

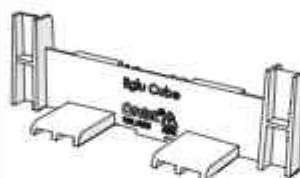


X1
Go
Base Foot LH
106.1007



X1
Go
Base Foot RH
106.1008

106.0011 Rotary Autodoor Cube Fixings



X1
Cube
Front Clip
106.1032

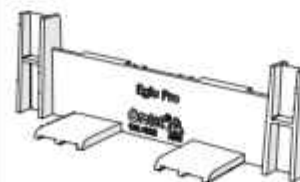


X1
Cube
Base Foot LH
106.1009



X1
Cube
Base Foot RH
106.1010

106.0013 Rotary Autodoor Pro Fixings



X1
Pro
Front Clip
106.1006



X1
Pro
Base Foot LH
106.1033



X1
Pro
Base Foot RH
106.1034

You will need...



Optional



X4

AA battery 1.5V



$\varnothing 3/32-1/8"$
2.5-3mm

Do not use Power Drill to tighten screws



Single alcohol wipe provided



Optional Attachment Kits - sold separately

014.0056 Control Panel Mounting Bracket Cube Mk2 & Pro House



X1

Control Panel Mounting Bracket
Cube Mk2 & Pro House
014.0054

When connecting to Wi-Fi for smart features or system updates, scan a QR below to download the Omlet App

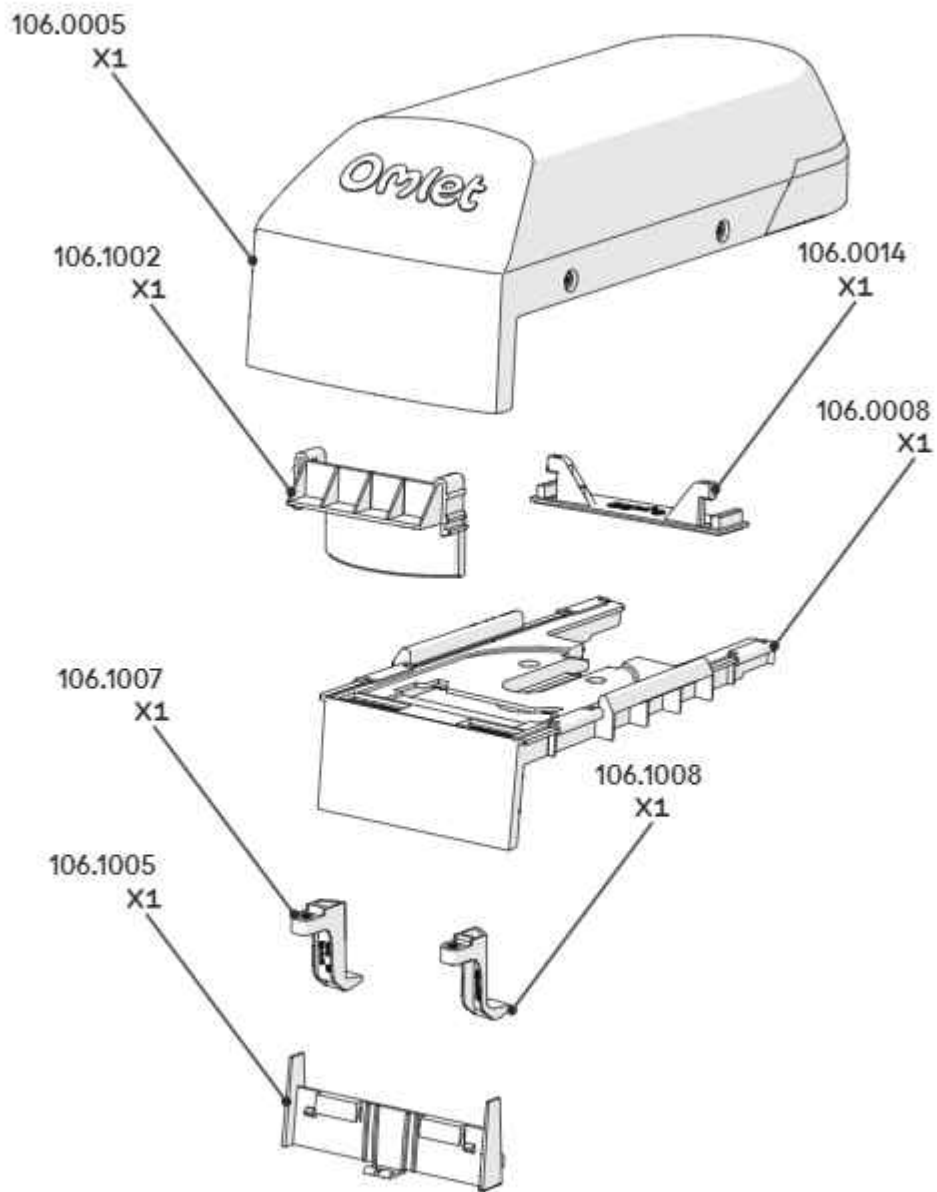


For Apple

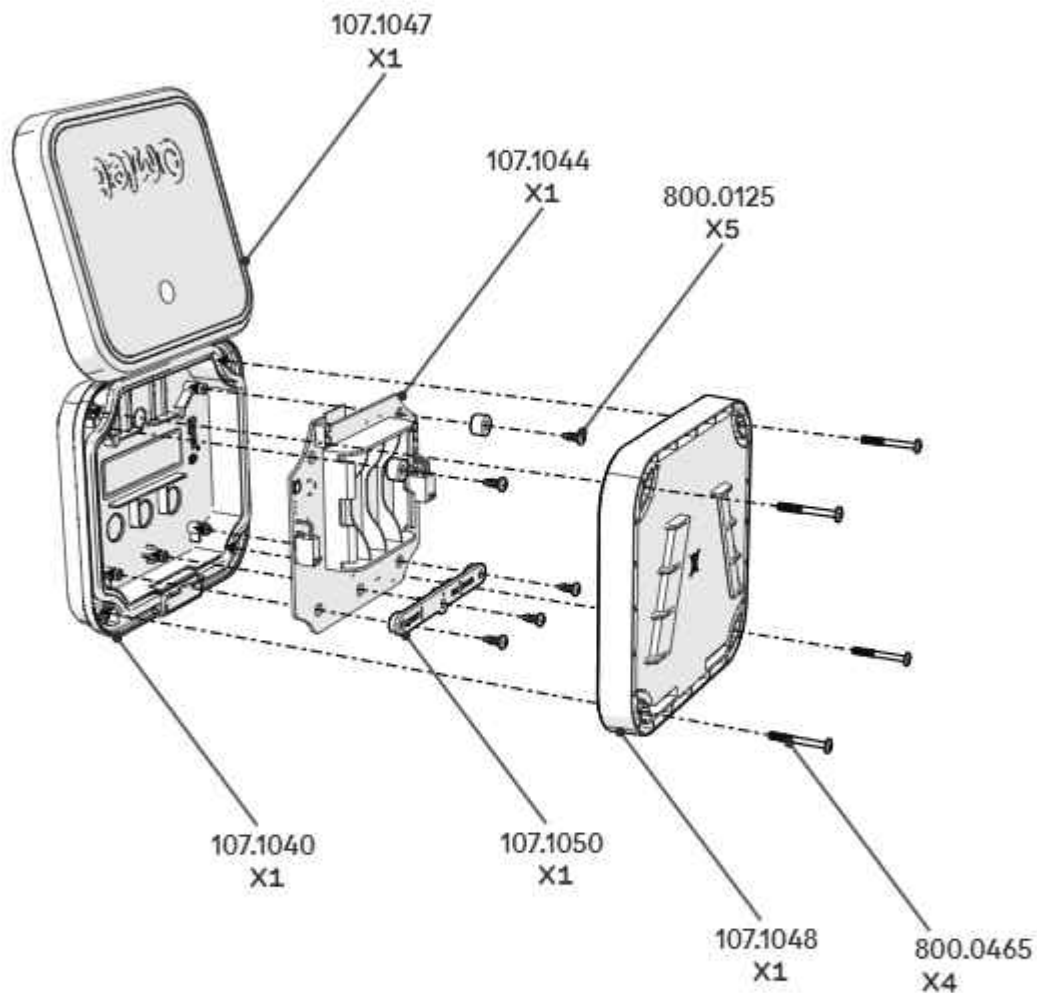


For Android

Exploded Assembly

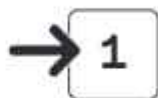


Exploded Assembly - Control Panel (107.0014)

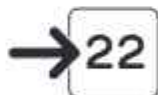


What coop are you attaching your Smart Rotary Eglu AutoDoor (106.0001) to?

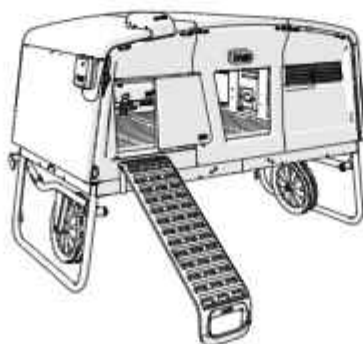
Eglu Go



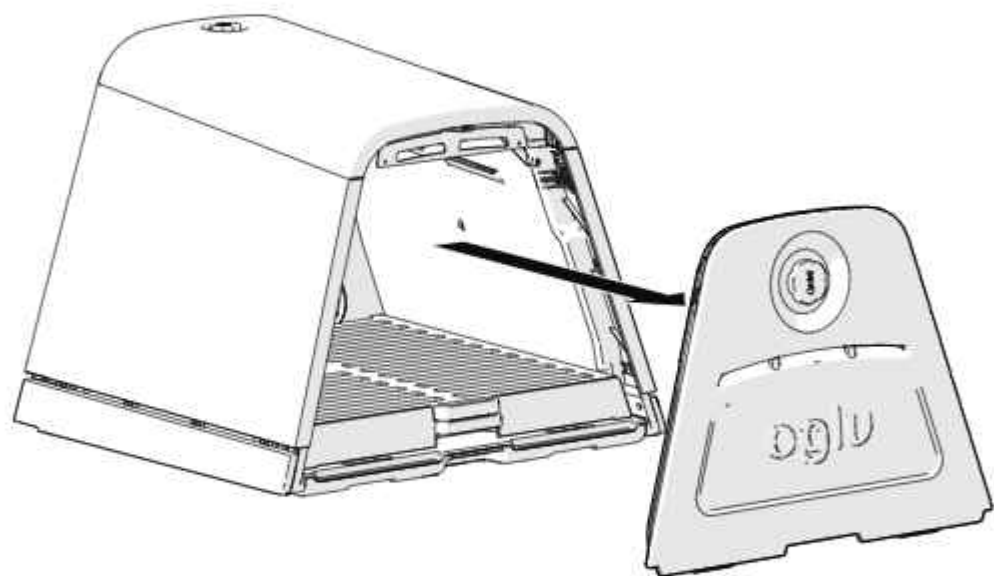
Eglu Cube Mk2



Eglu Pro



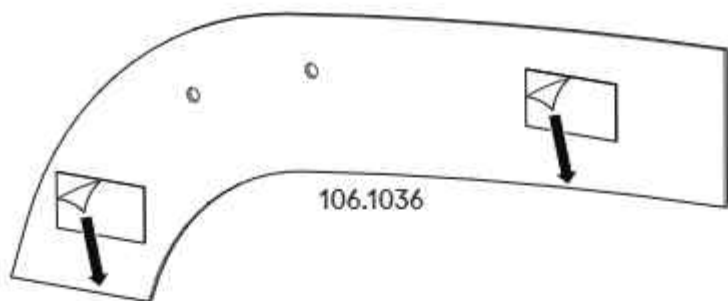
1



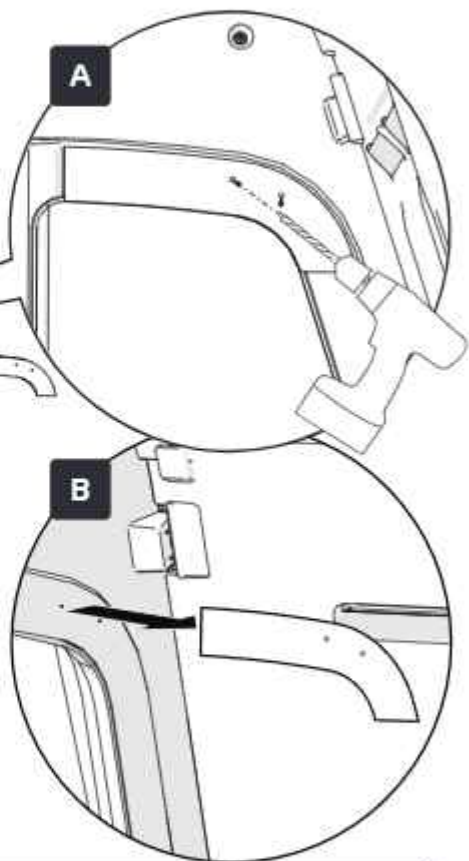
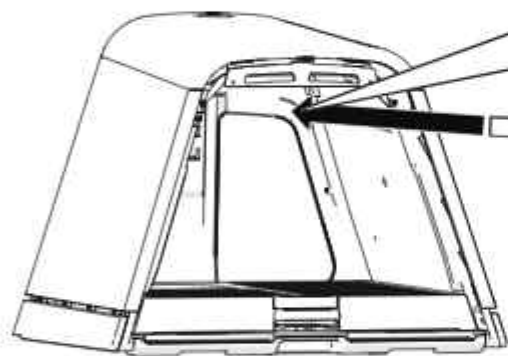
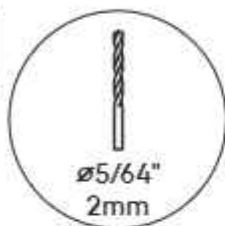
Optional: You can also remove the roof panel to make Steps 2-5 easier, but it must be replaced before you start Step 8



2



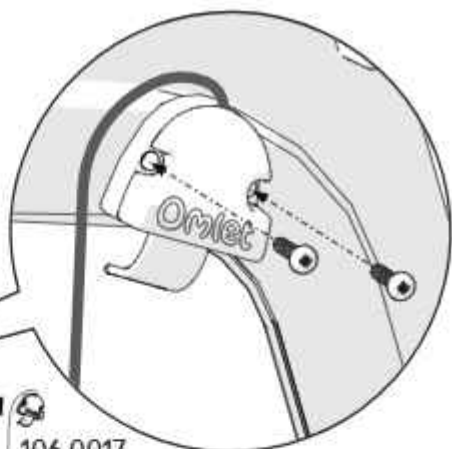
3



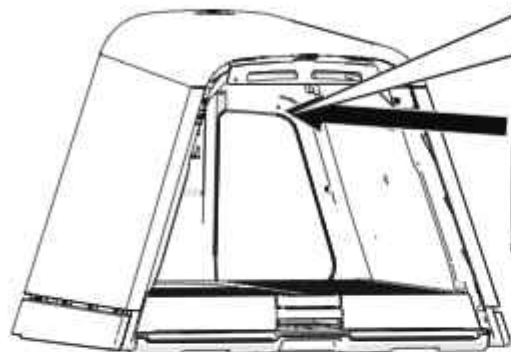
Only drill through the first inside layer of the panel



4



106.0017



5



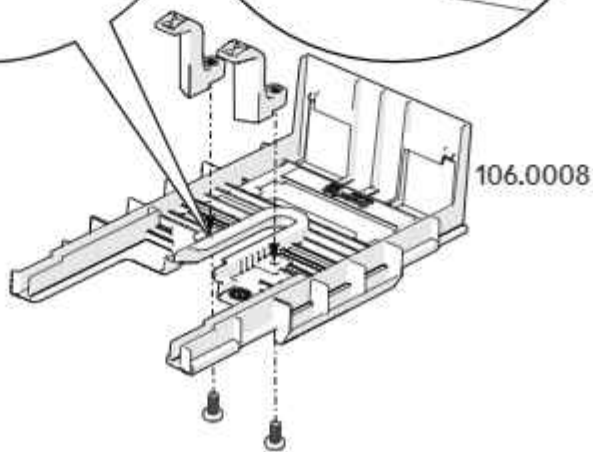
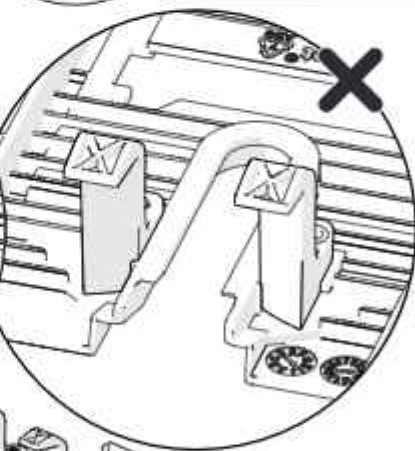
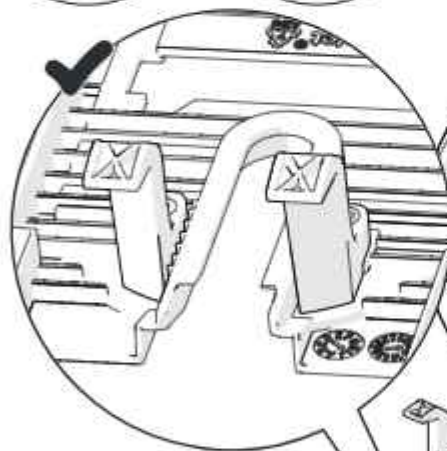
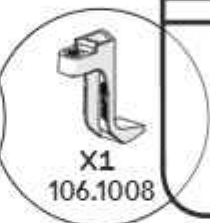
Feed wire through the vent



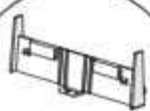
You can now reattach your back panel



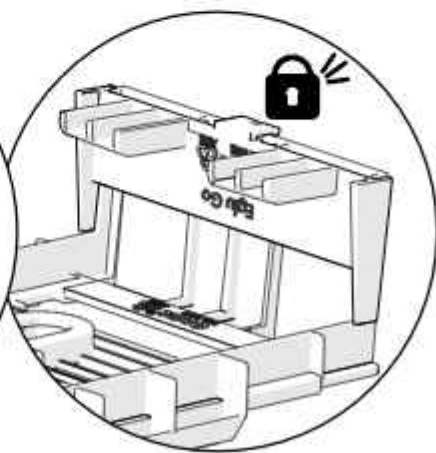
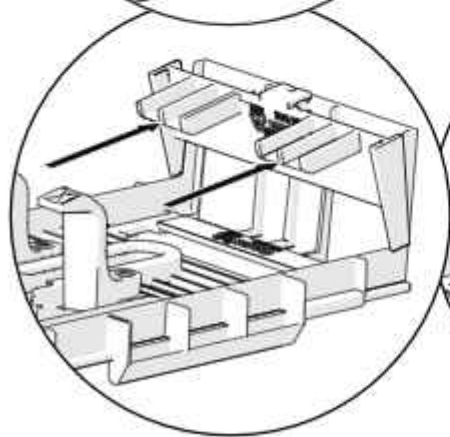
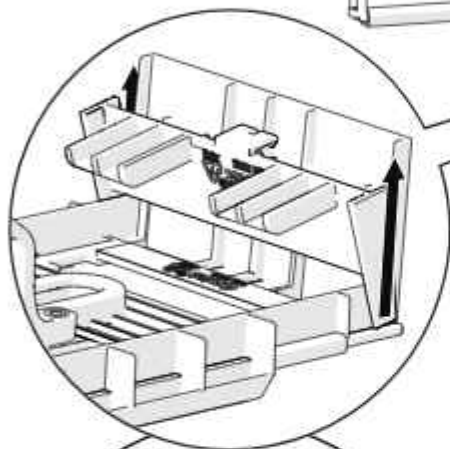
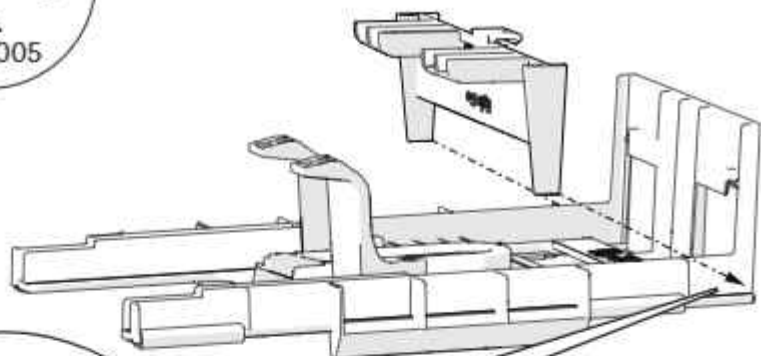
6



7

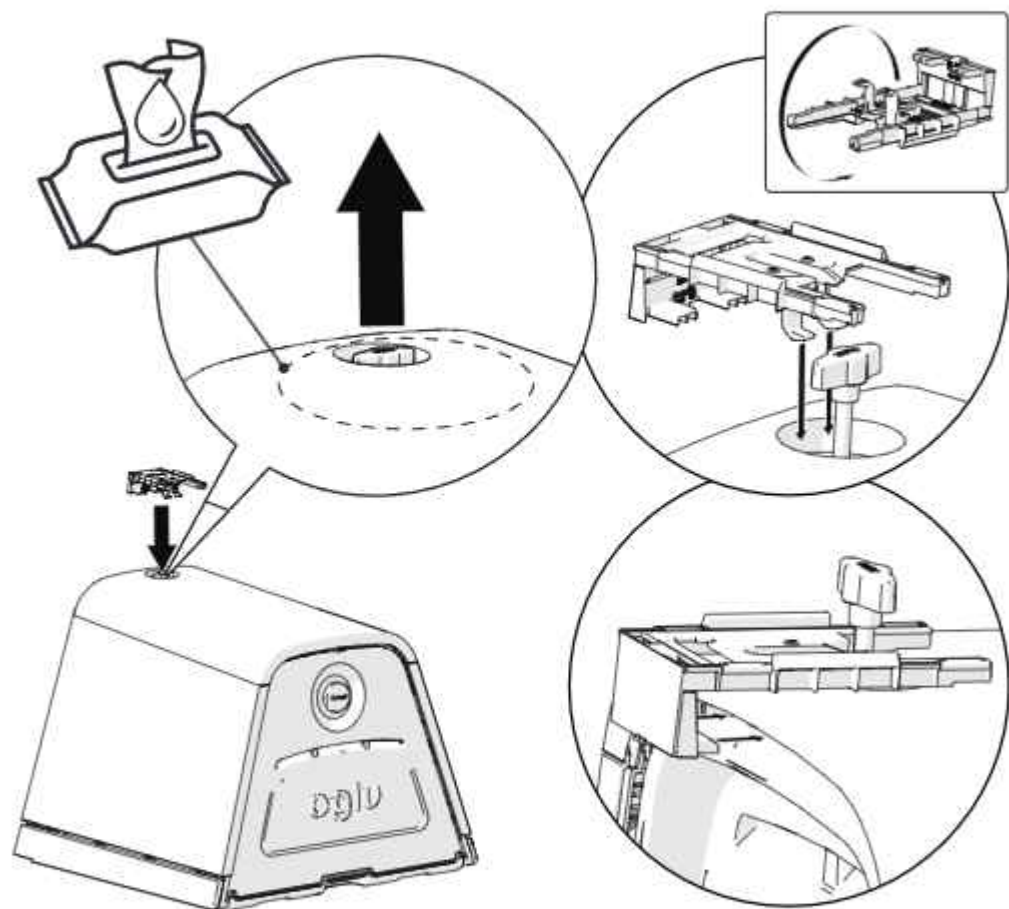


X1
106.1005



8

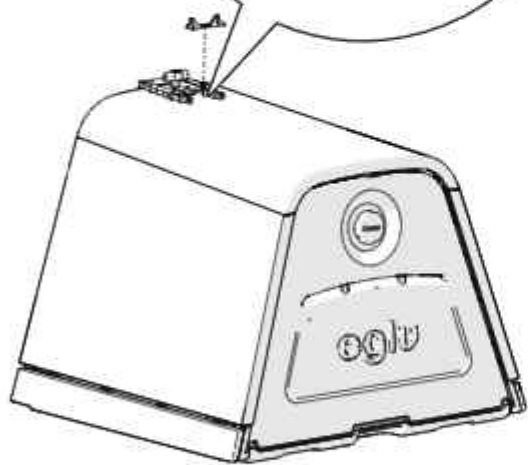
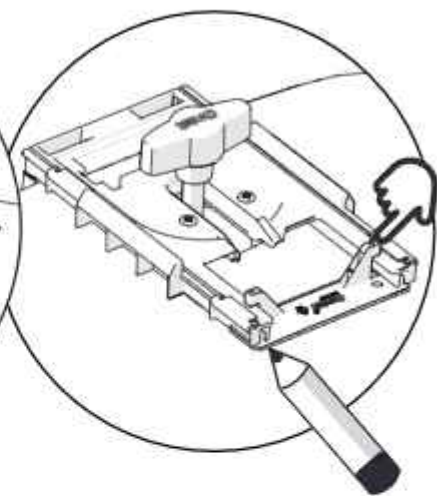
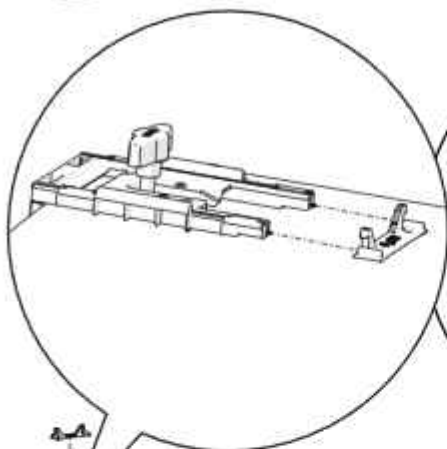
Make sure the area around your T-handle is clean and dry so your Base Support (106.0014) can stick to it easily



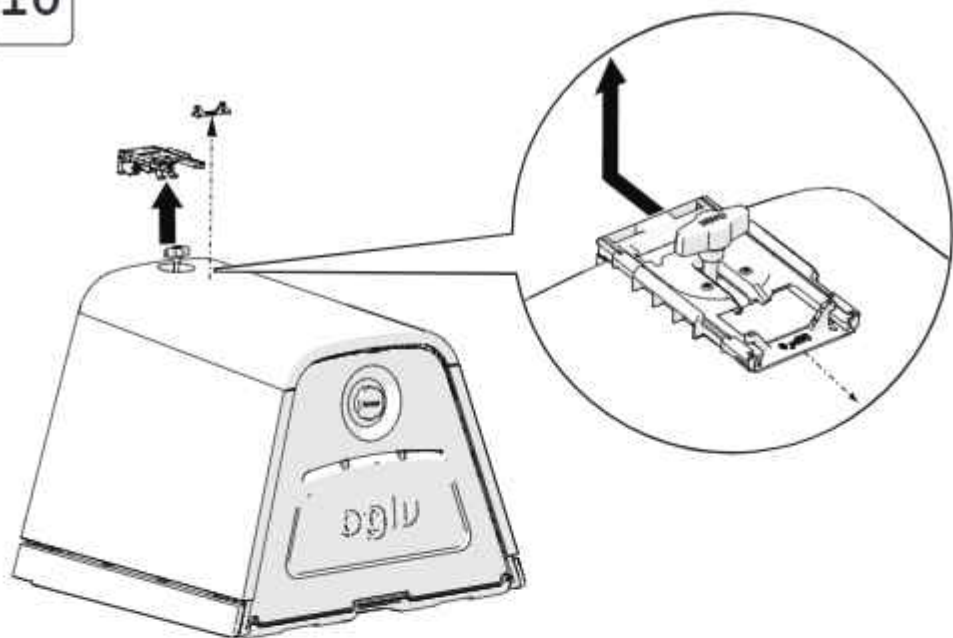
9



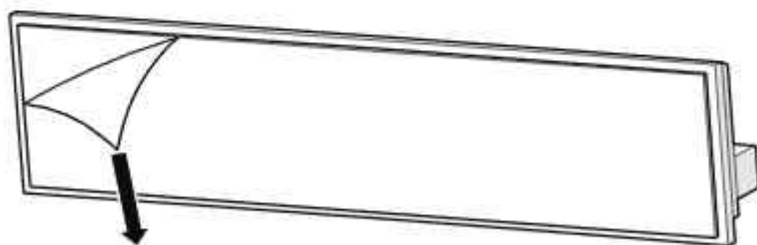
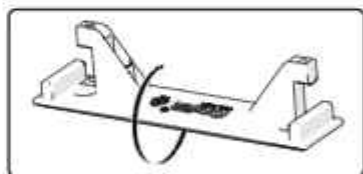
X1
106.0014

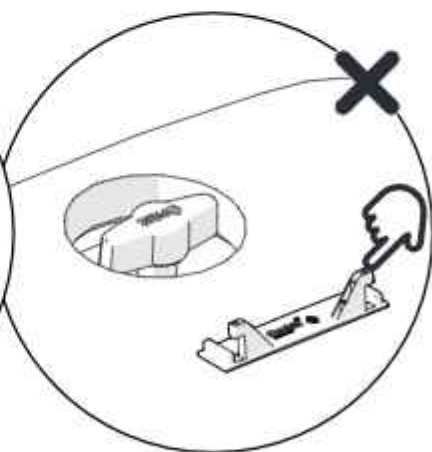
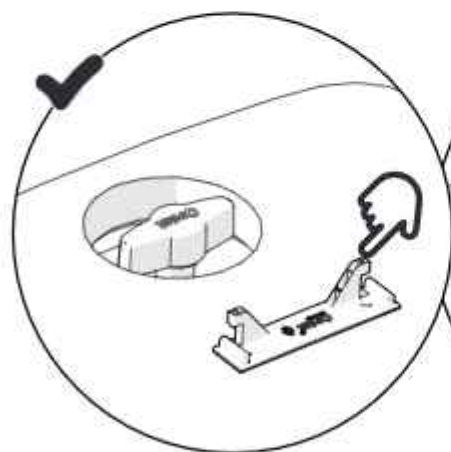
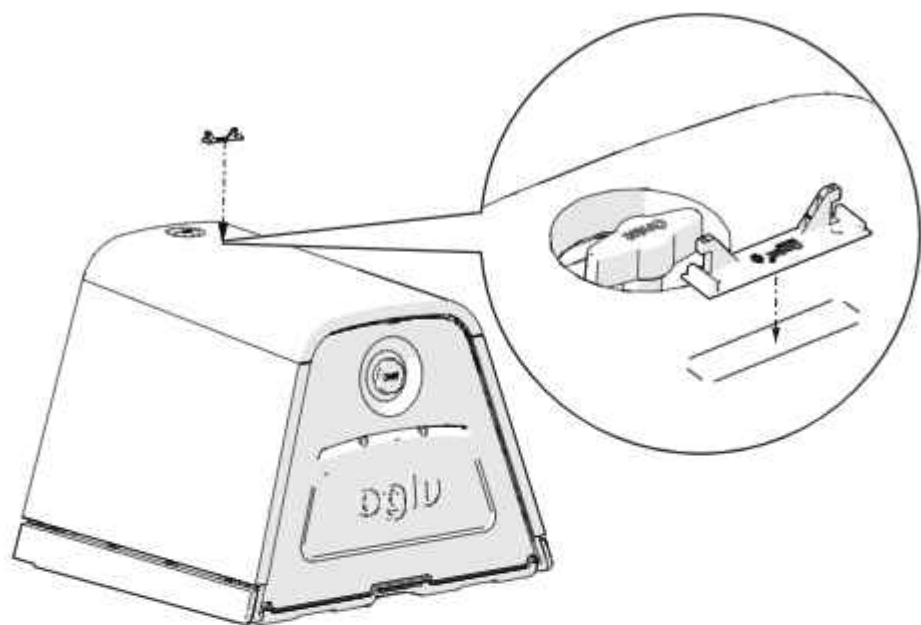


10

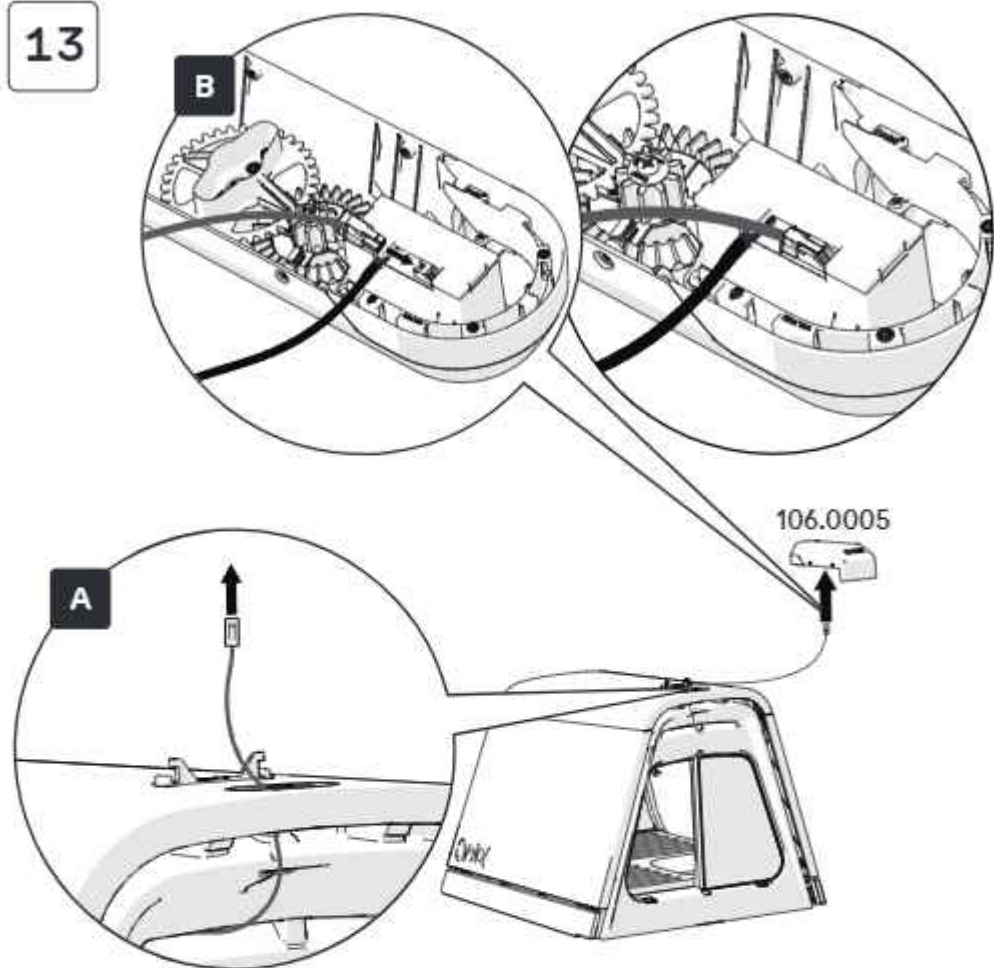


11

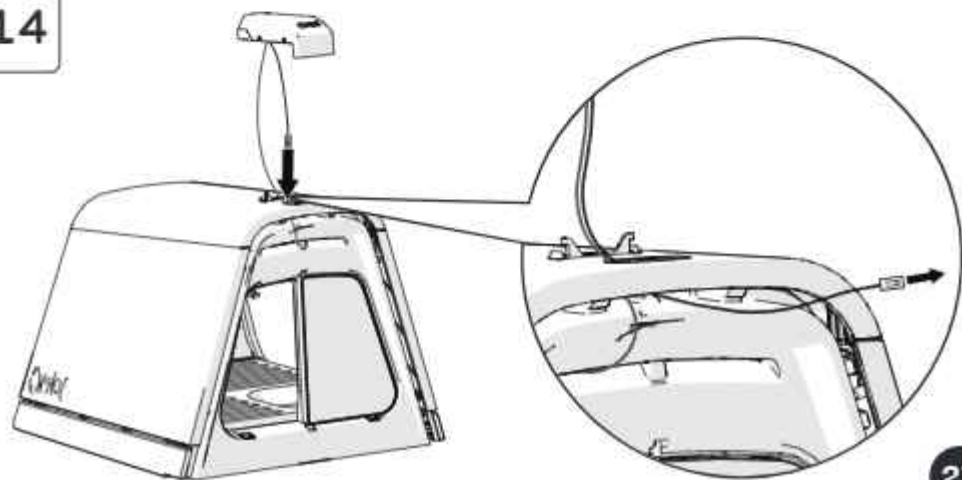


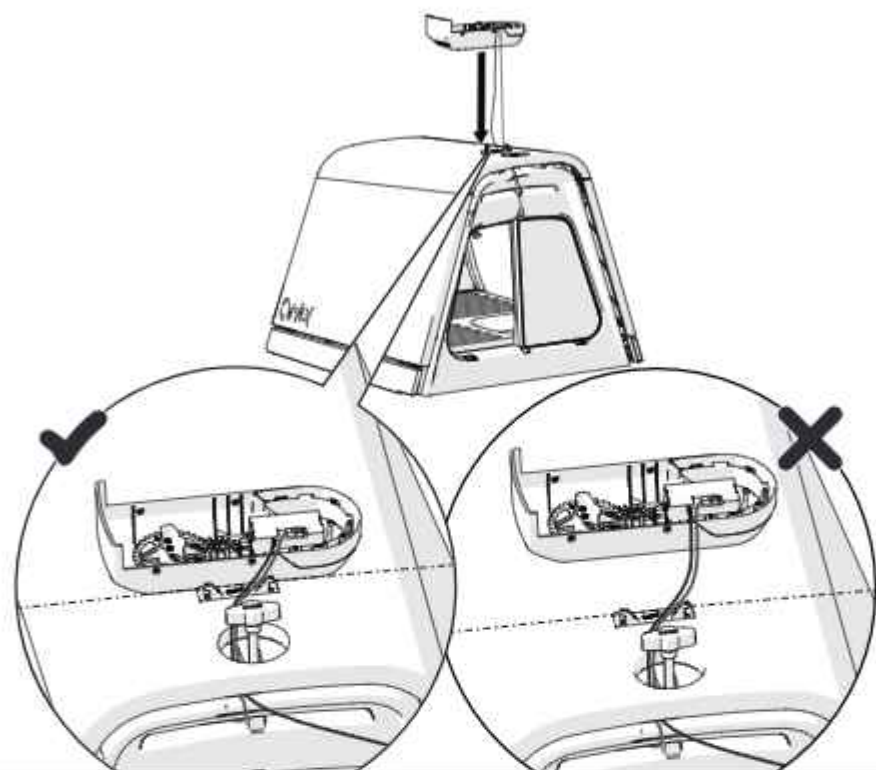


13



14

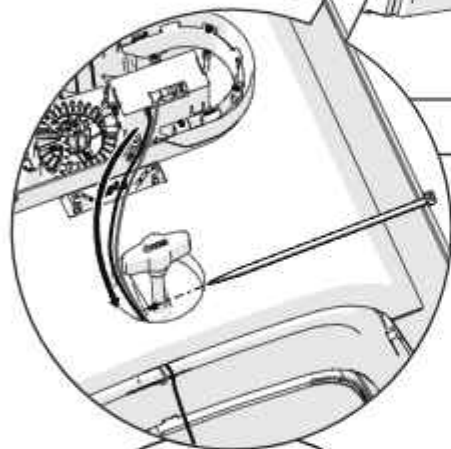




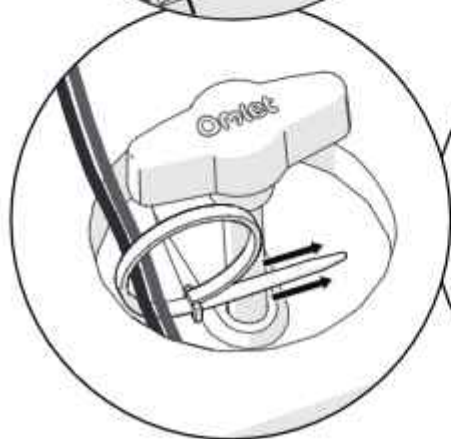
It is very important to position the gear case (106.0005) correctly on top of your coop to ensure wires will be the correct length during the next step



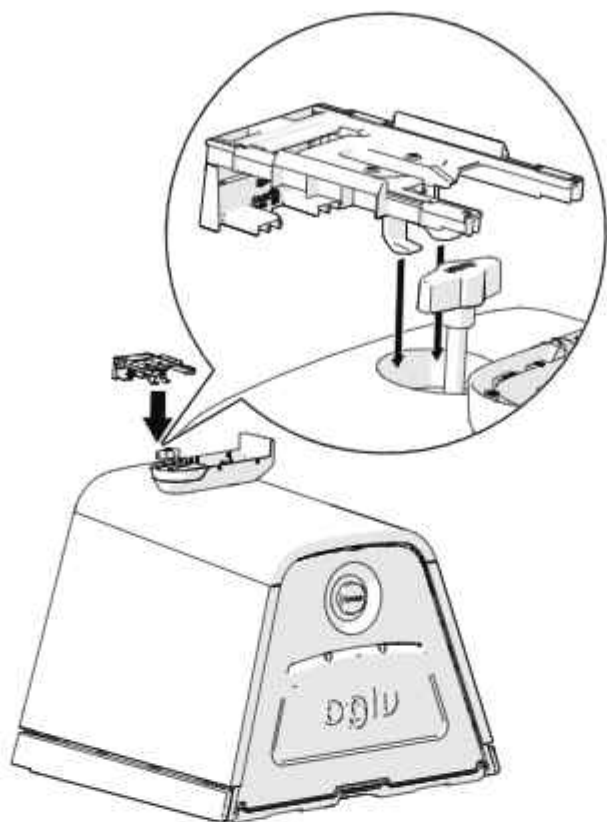
16



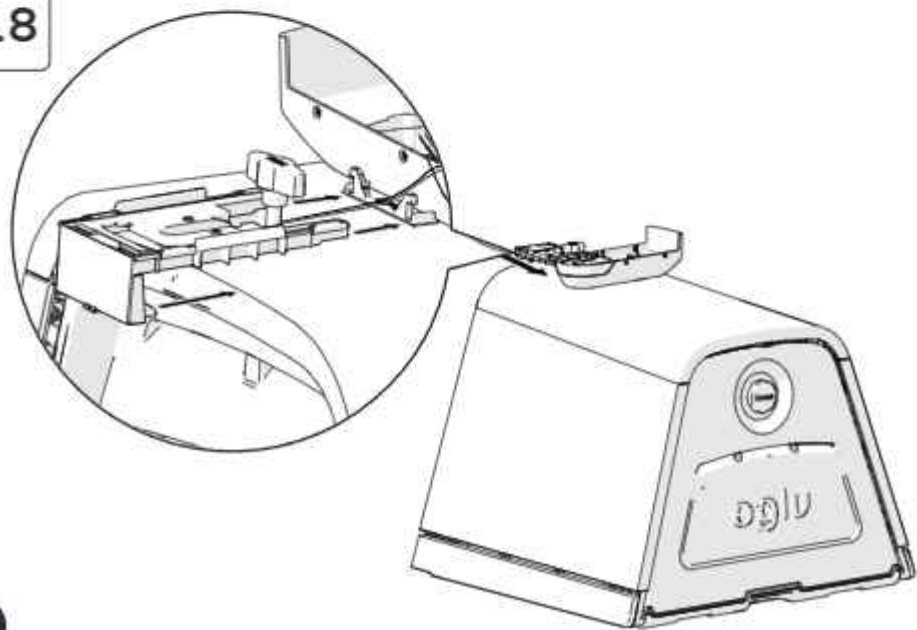
Pull wires tight



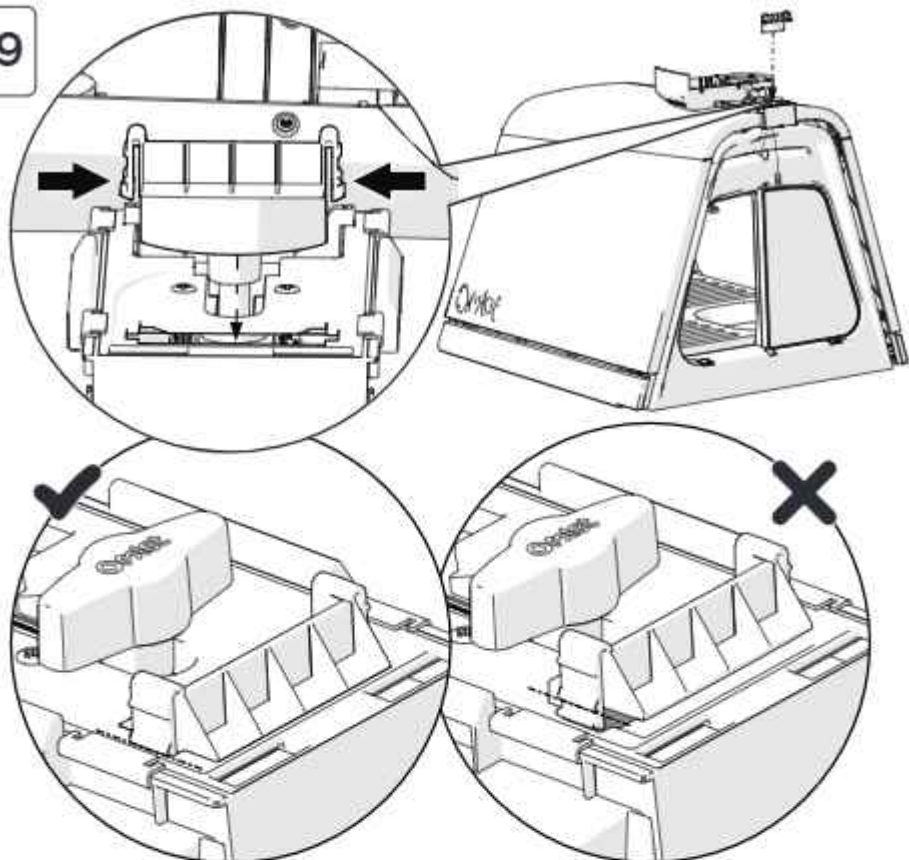
17



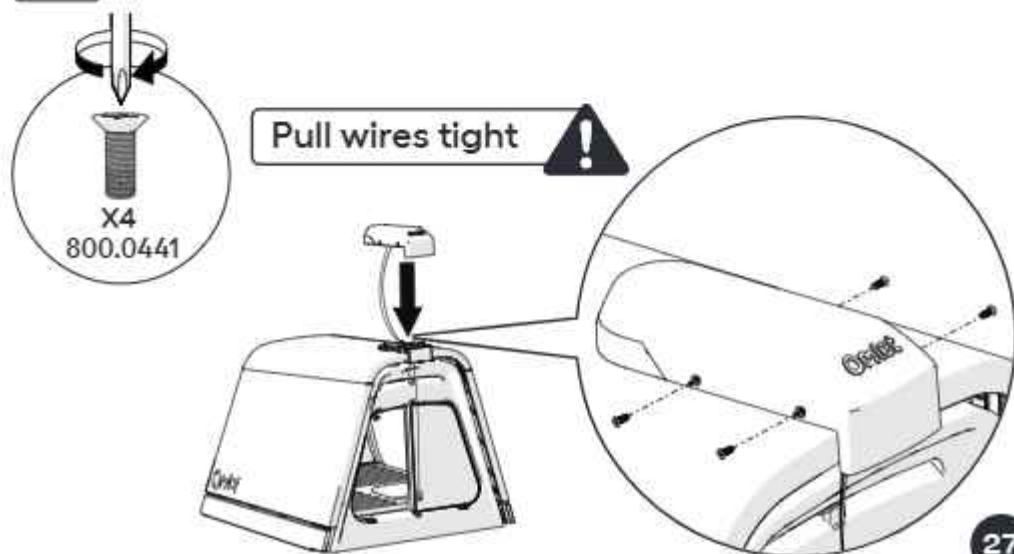
18



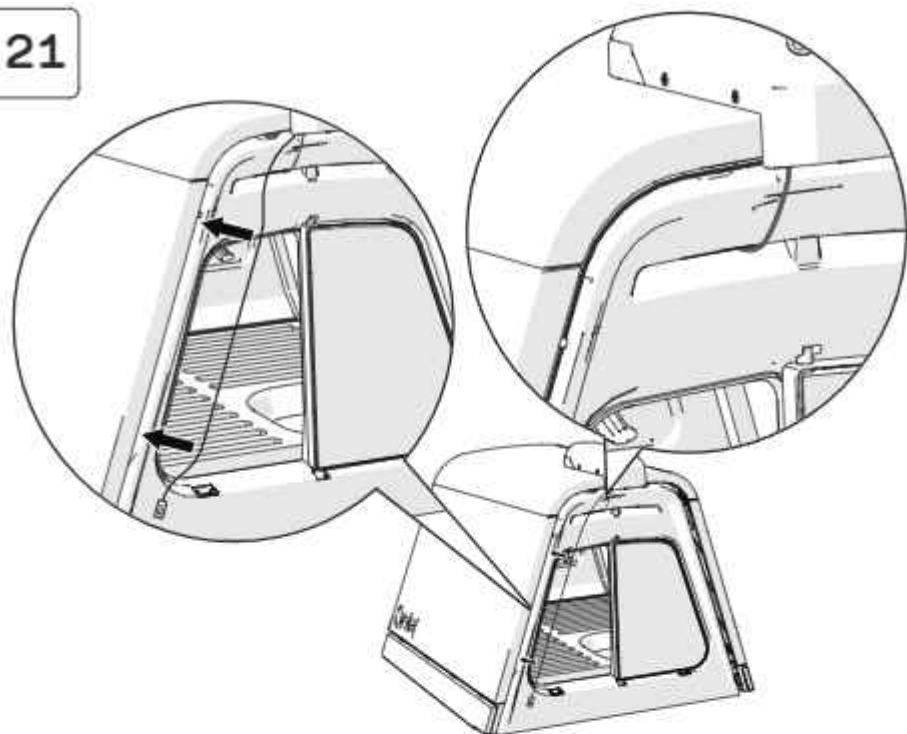
19



20



21



If you are attaching your coop to a Walk In Run Connection Kit

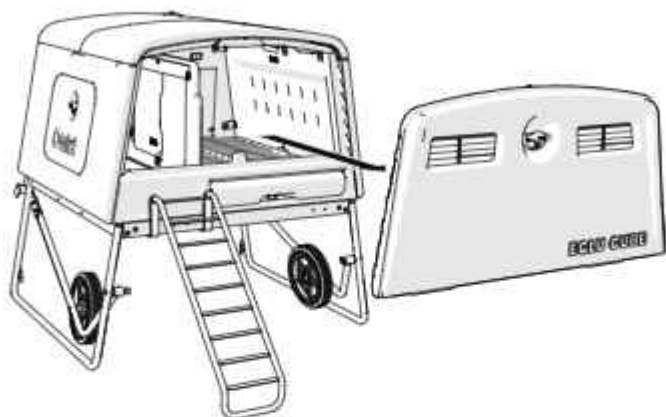
→ 68

To Assemble the Control Panel (107.0014)

→ 70

Attaching your Smart Rotary Eglu Autodoor to an Eglu Cube

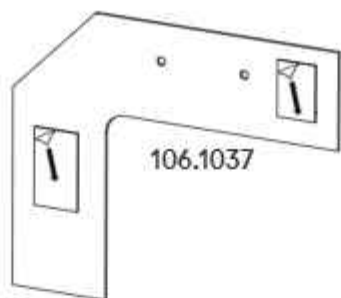
22 Keep the Parts safe until Step 28



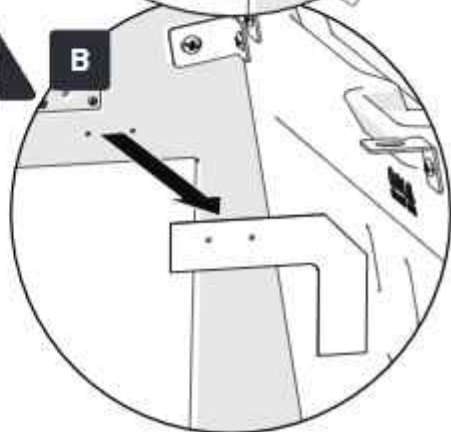
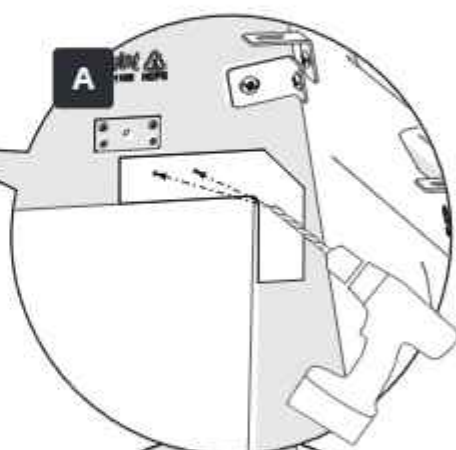
23 Keep the part safe until Step 28



24



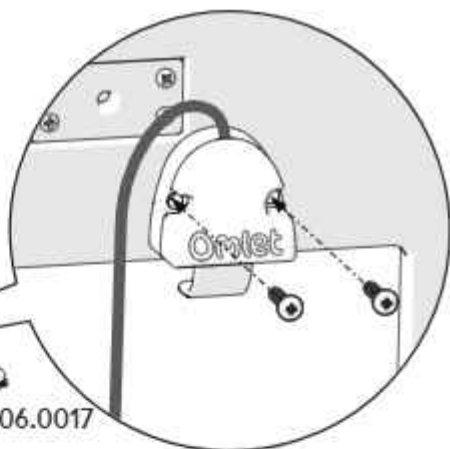
25



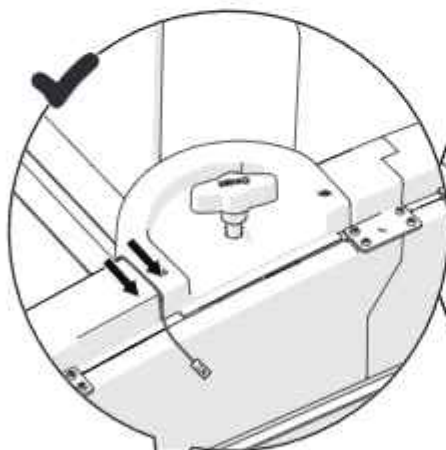
Only drill through the first
inside layer of the panel



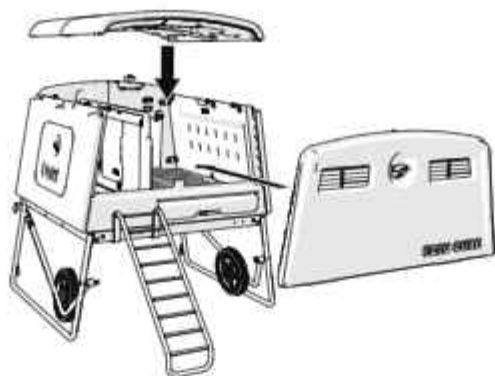
26



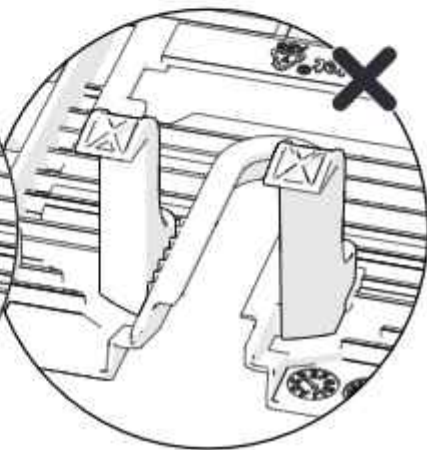
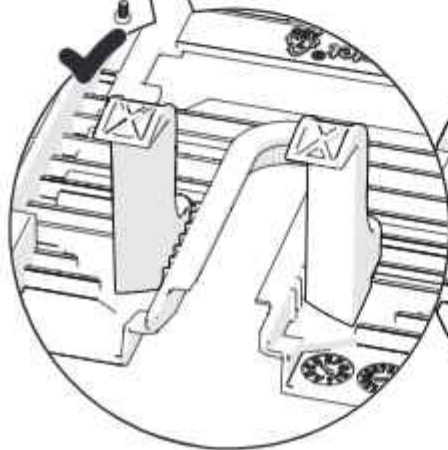
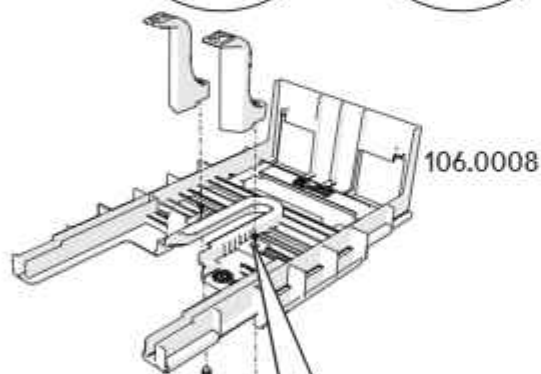
27



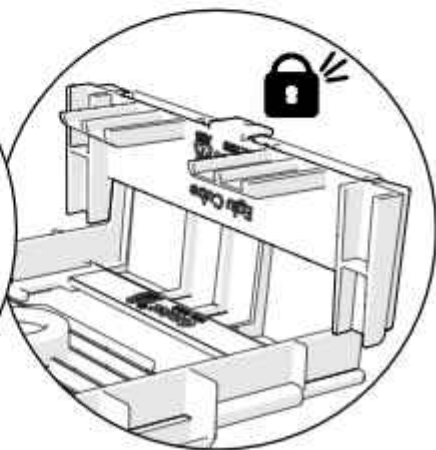
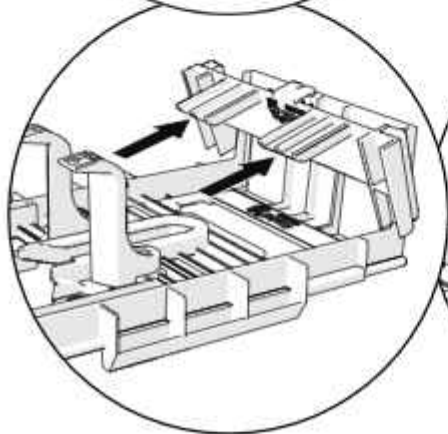
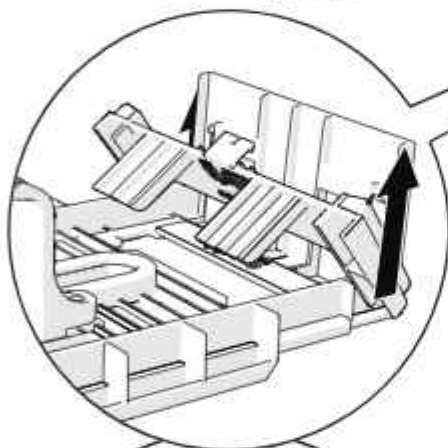
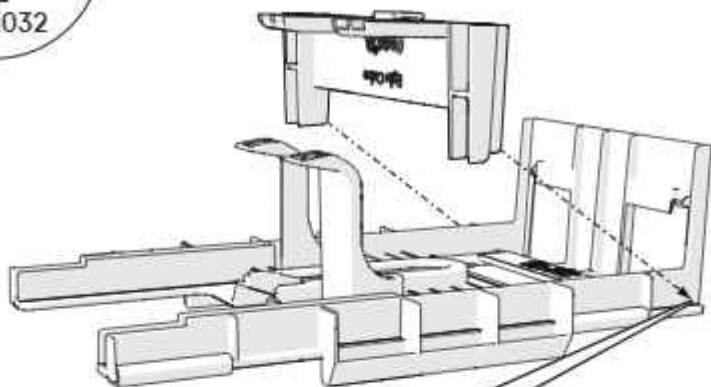
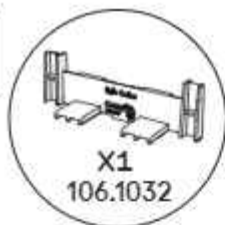
28



29

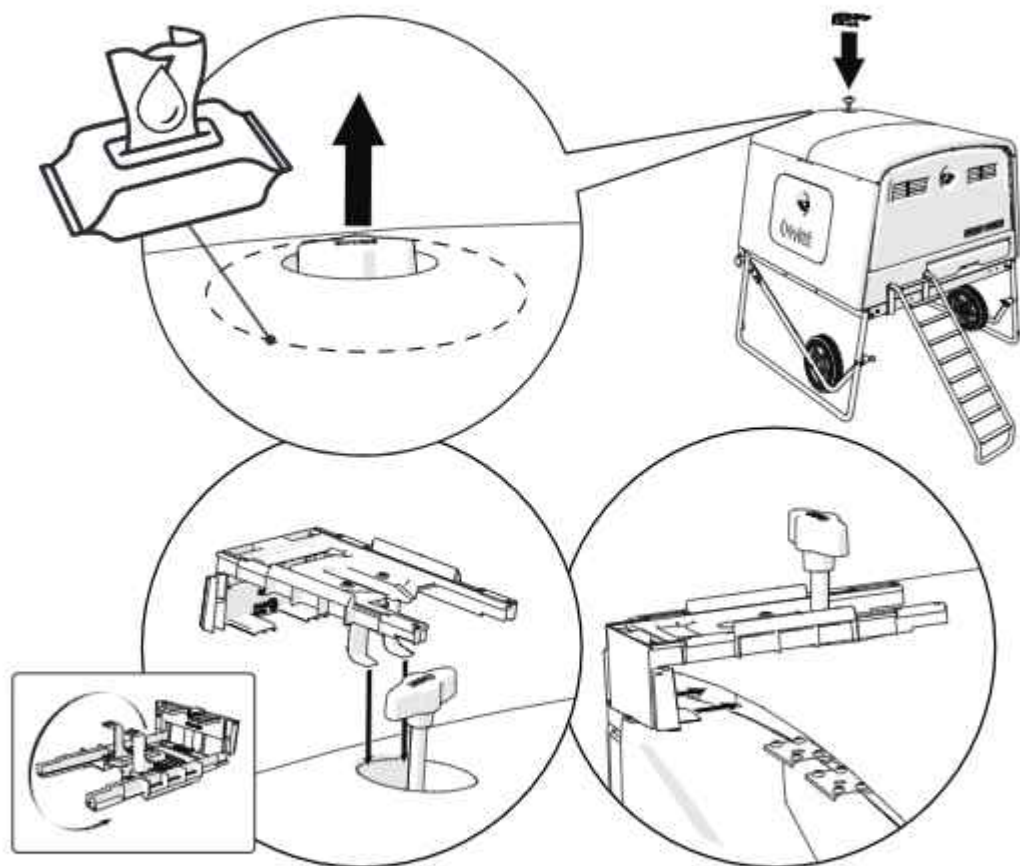


30

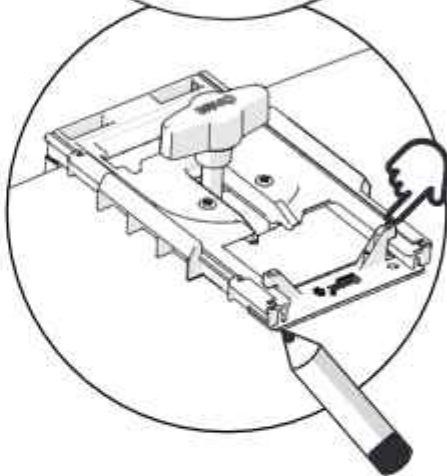
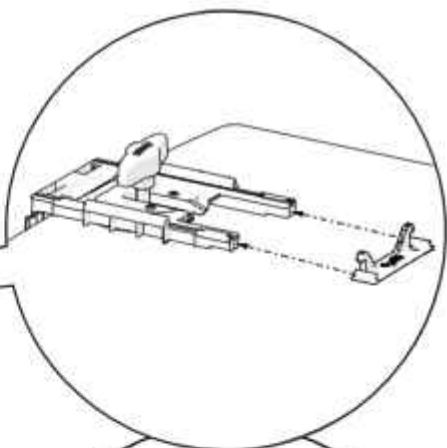


31

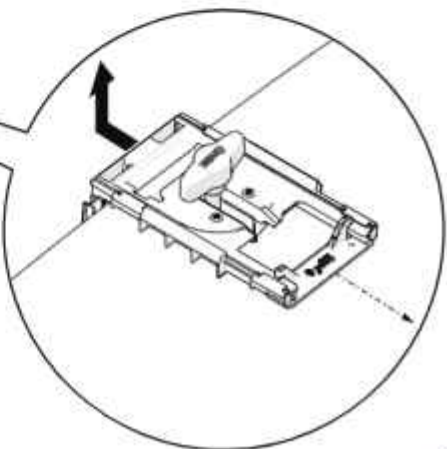
Make sure the area around your T-handle is clean and dry so your **Base Support (106.0014)** can stick to it easily



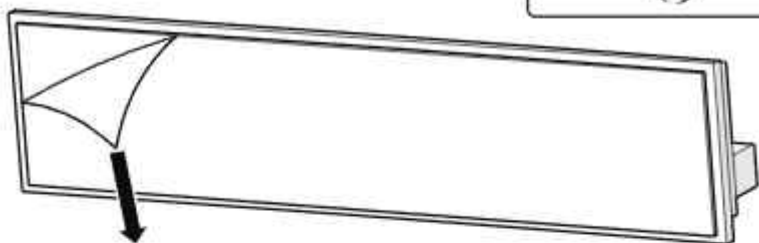
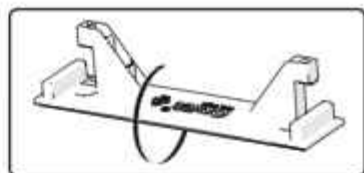
32



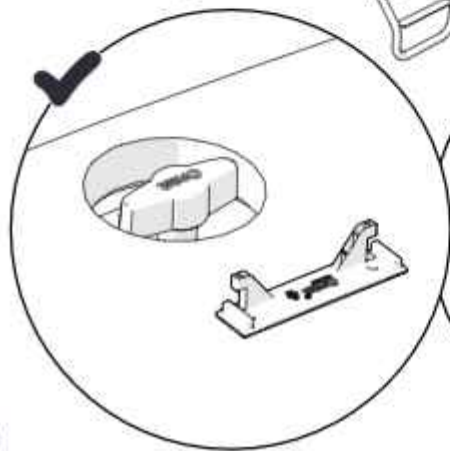
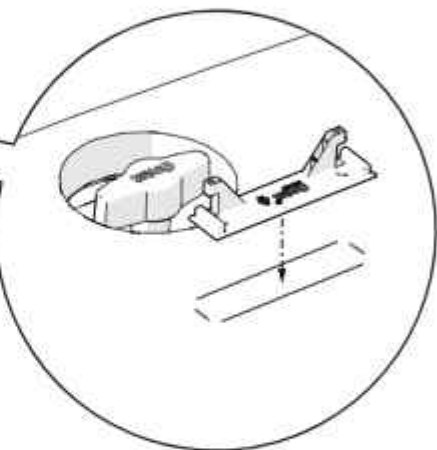
33



34

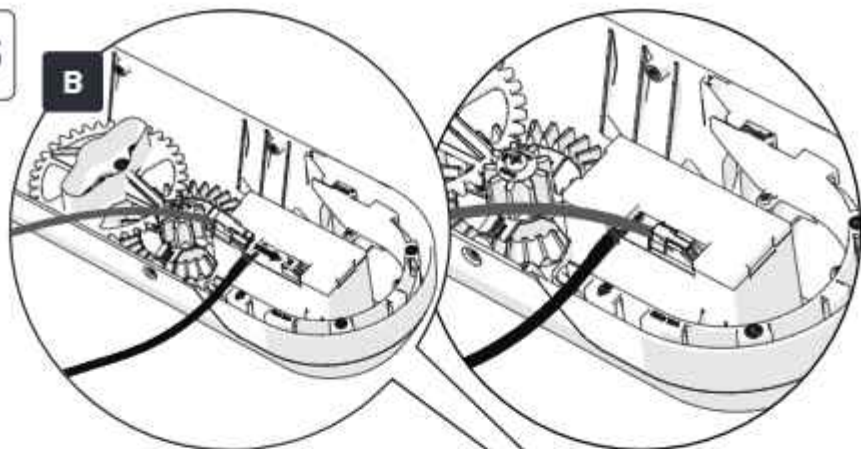


35

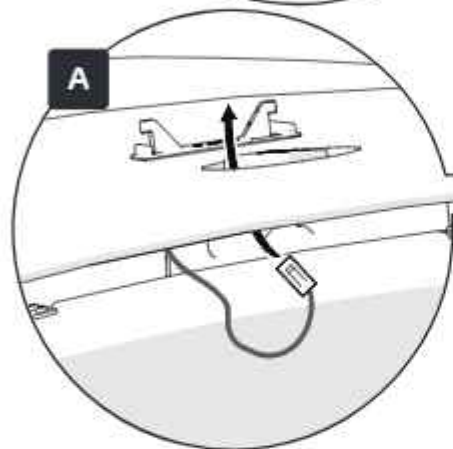


36

36



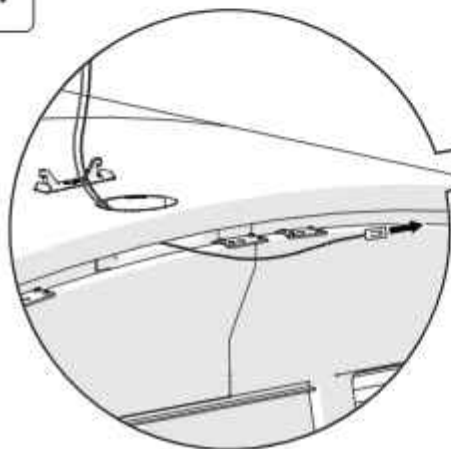
A

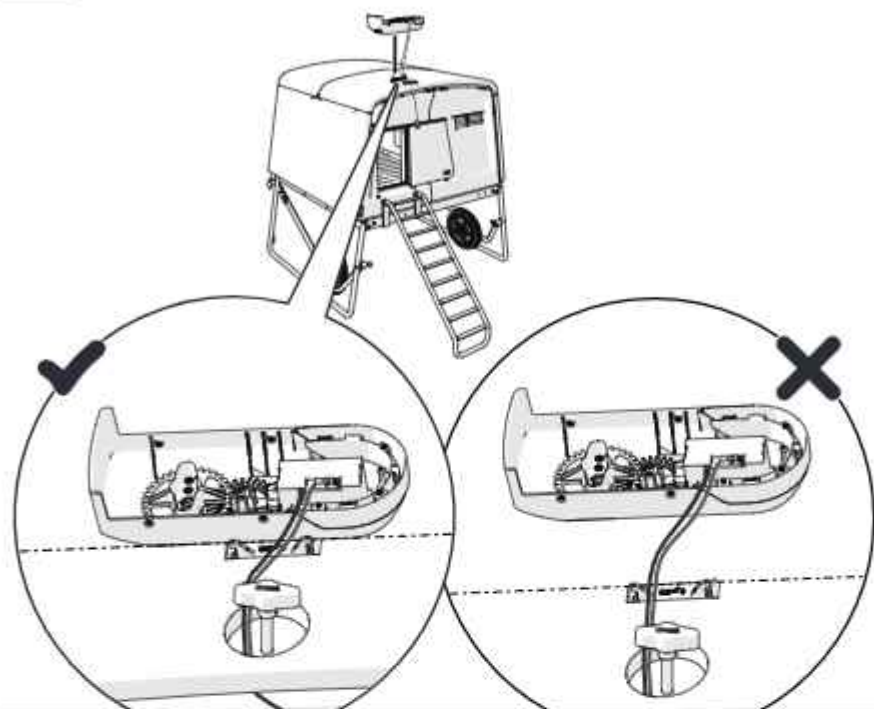


106.0005



37

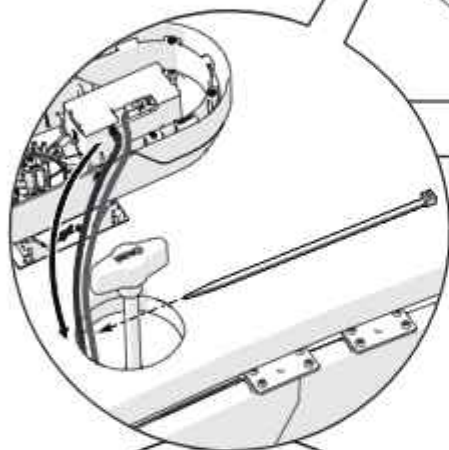
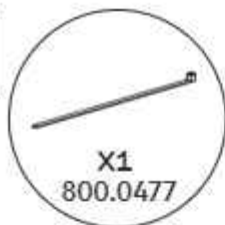




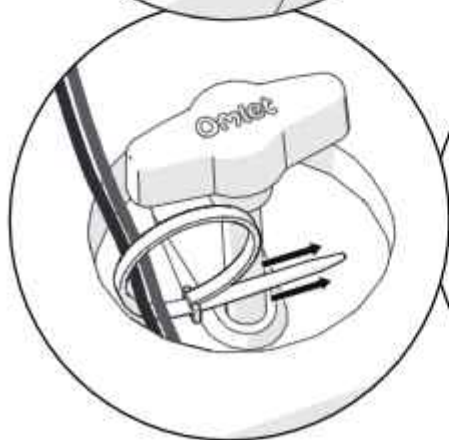
It is very important to position the gear case (106.0005) correctly on top of your coop to ensure wires will be the correct length during the next step



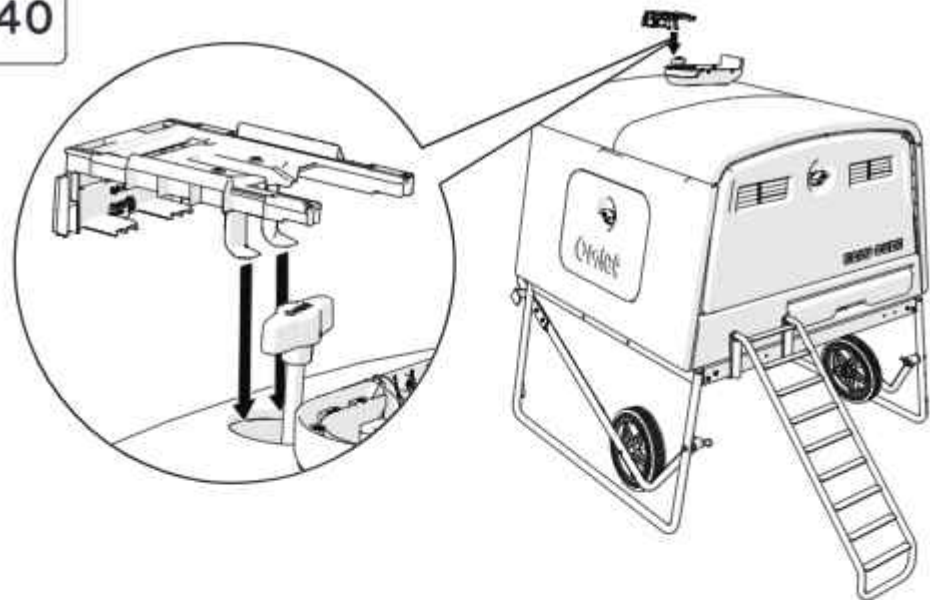
39



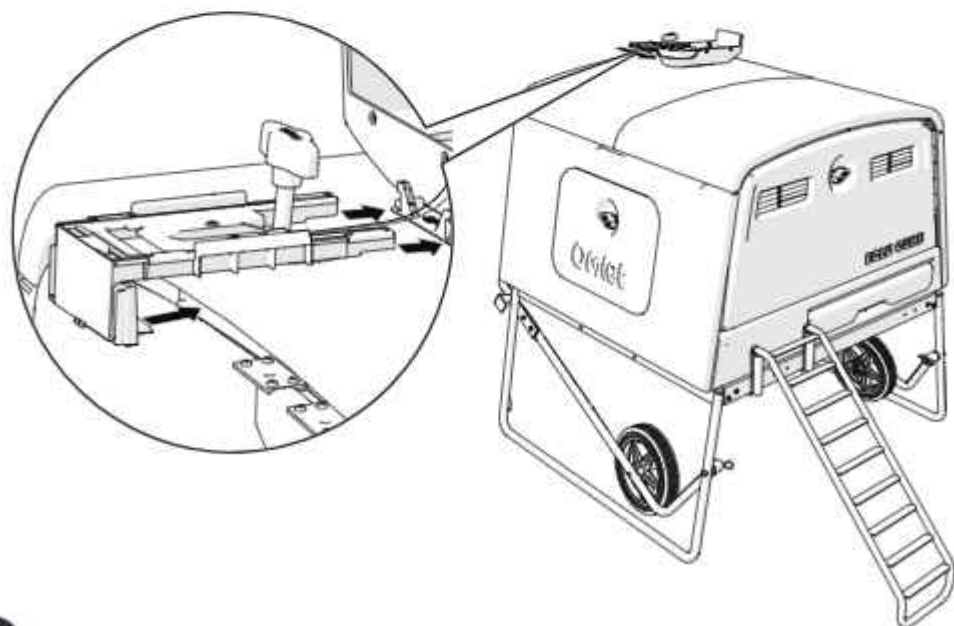
Pull wires tight



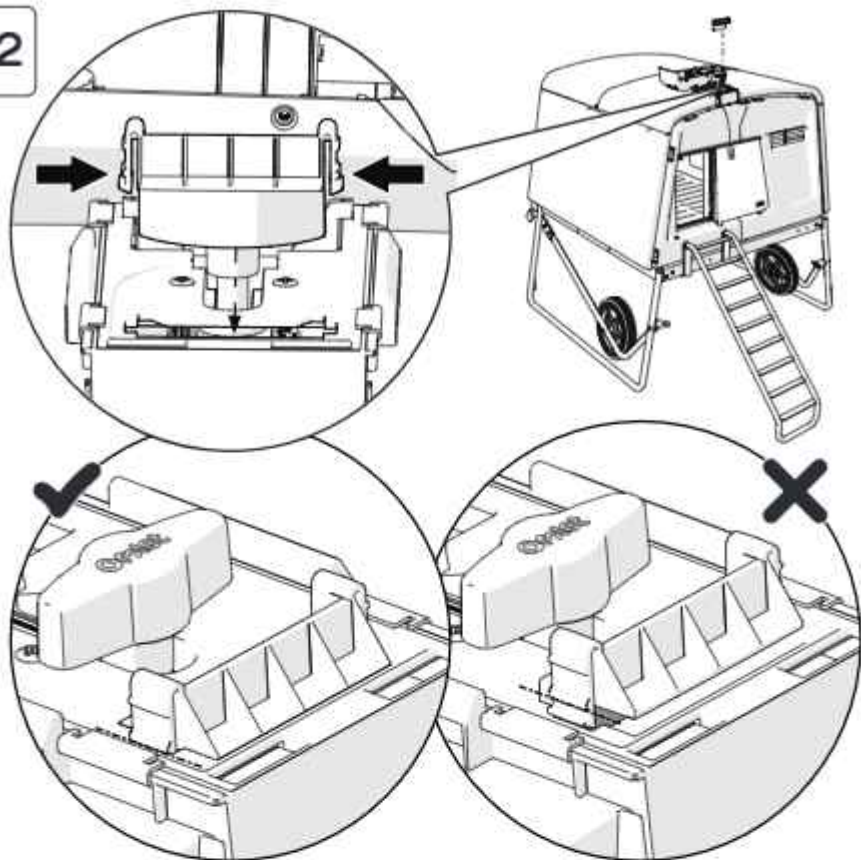
40



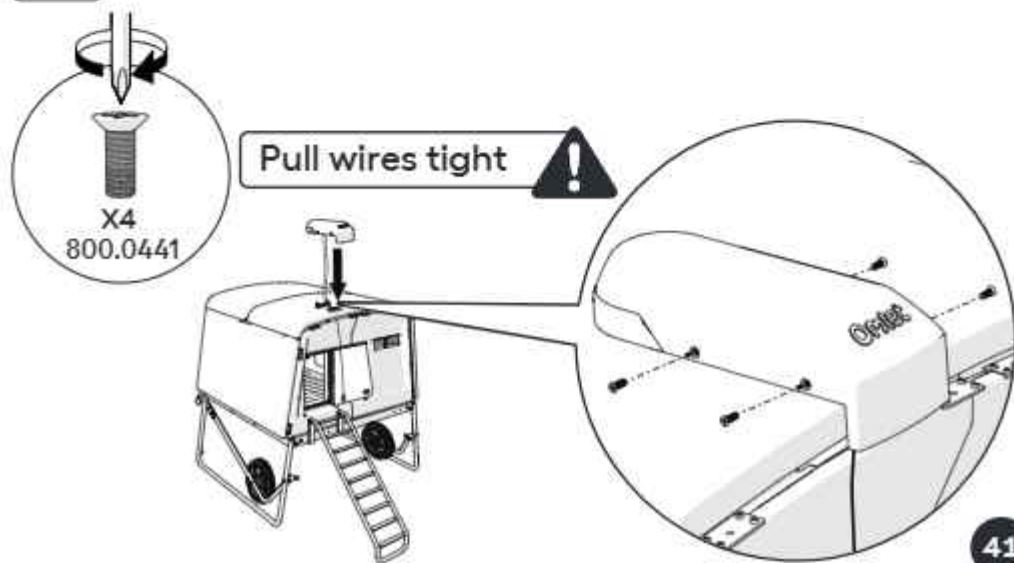
41



42

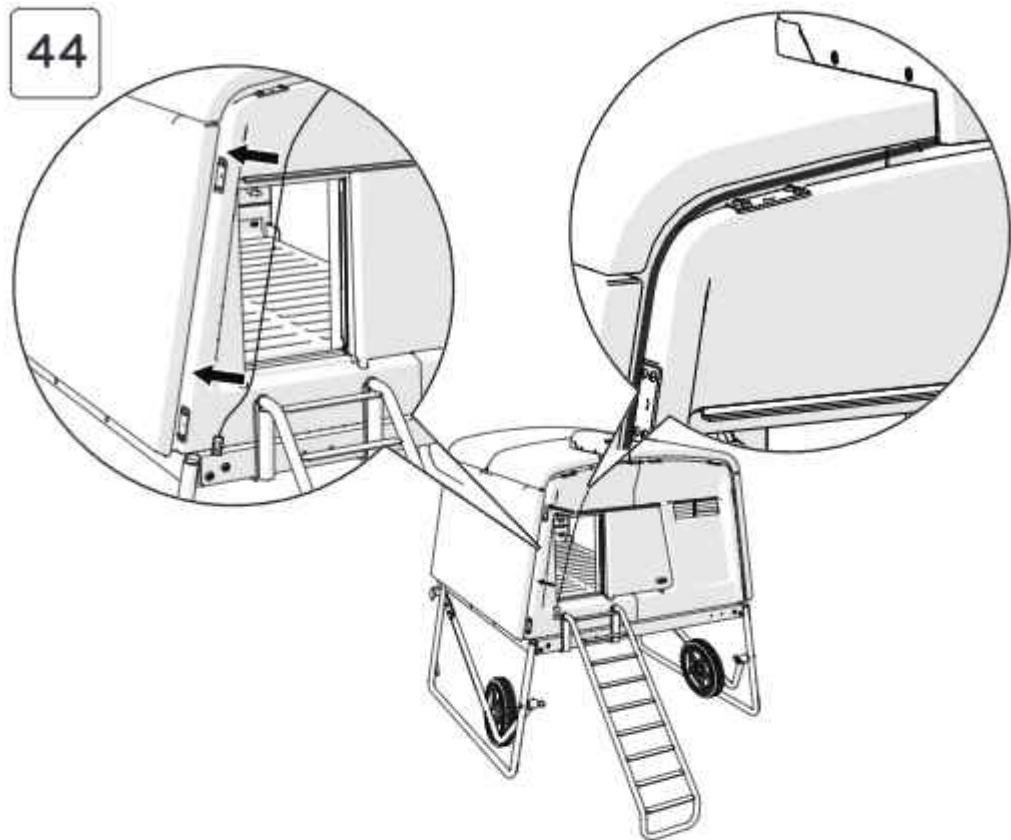


43



41

44

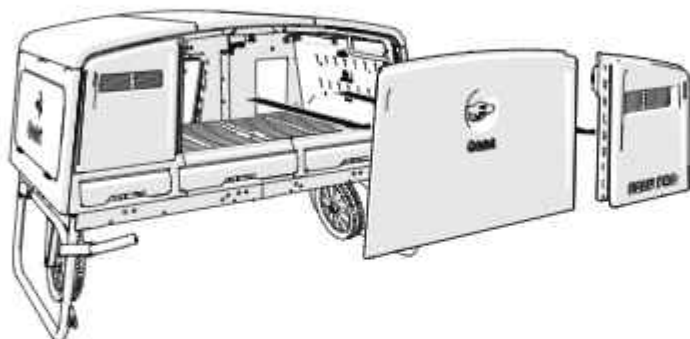


To Assemble the Control Panel (107.0014)

→ 70

Attaching your Smart Rotary Eglu Autodoor to an Eglu Pro

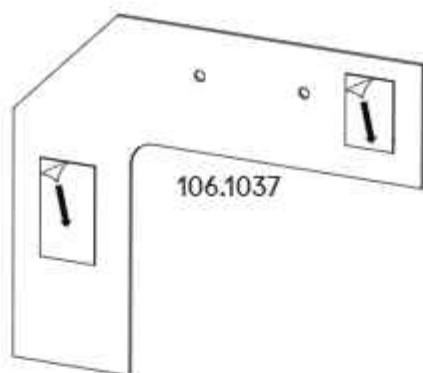
45 Keep the Parts safe until Step 51



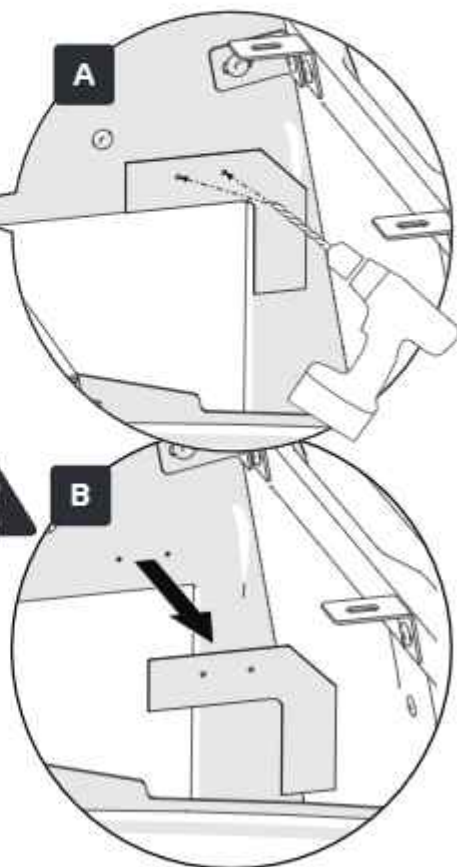
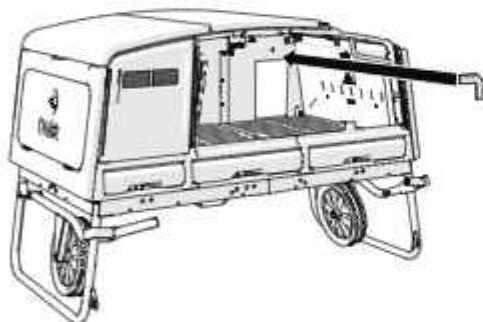
46 Keep the part safe until Step 51



47



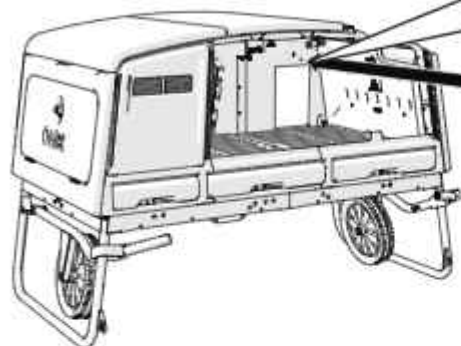
48



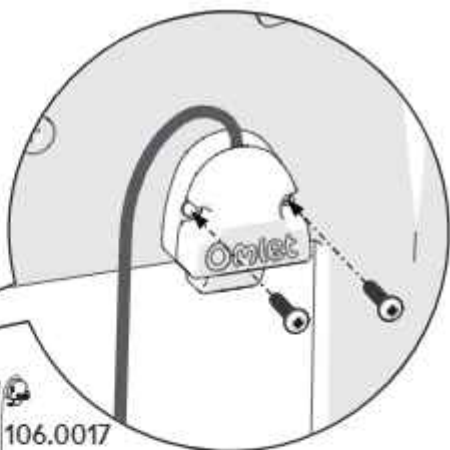
Only drill through the first
inside layer of the panel



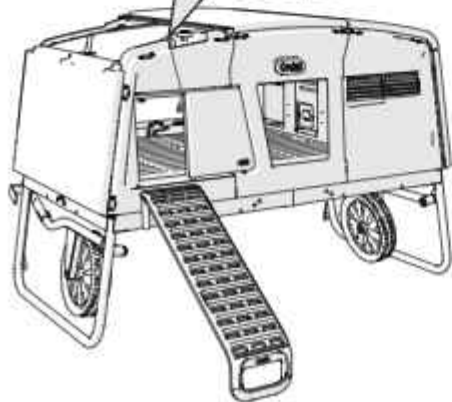
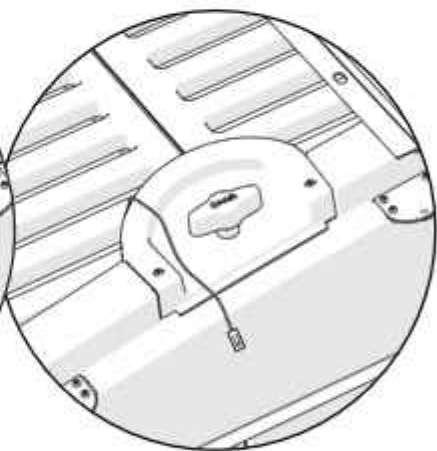
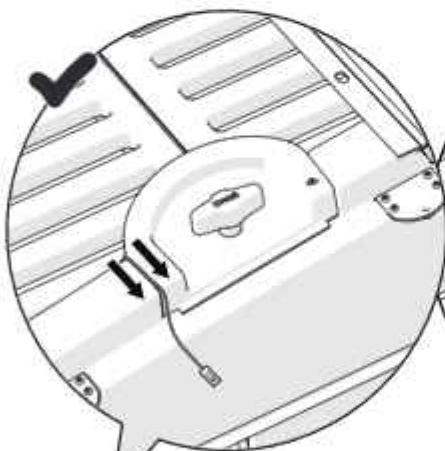
49



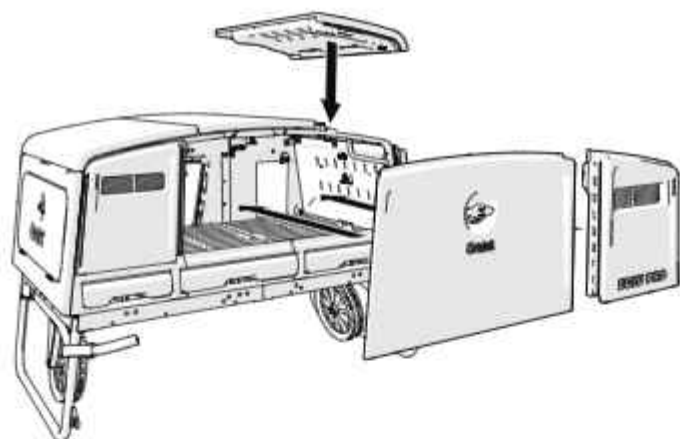
106.0017



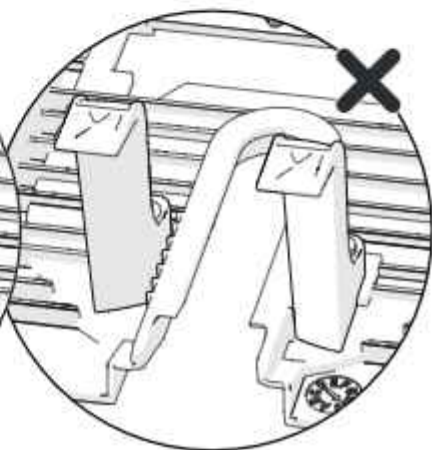
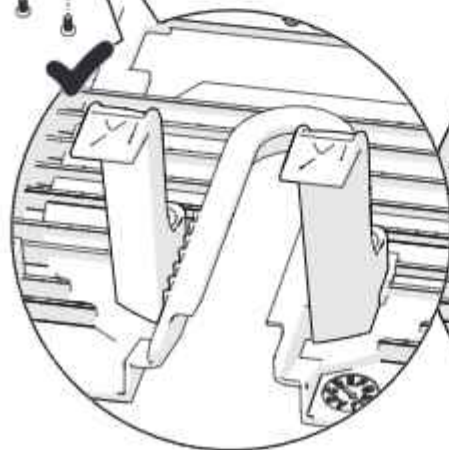
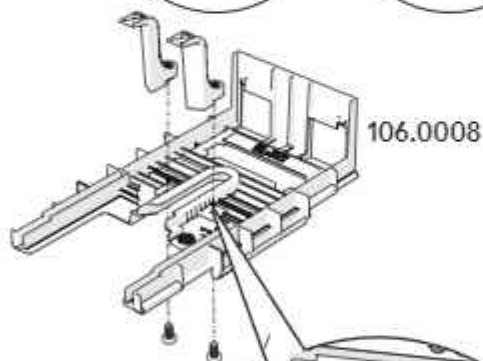
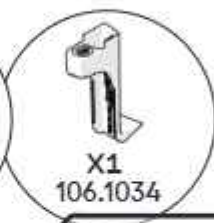
50



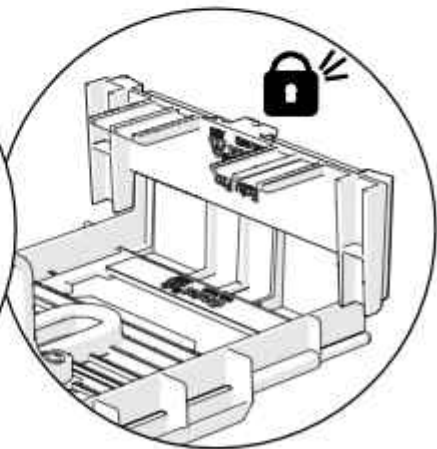
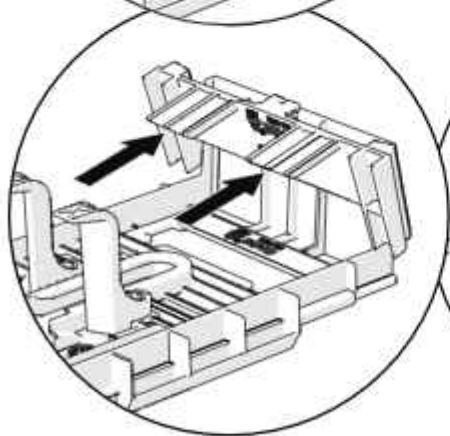
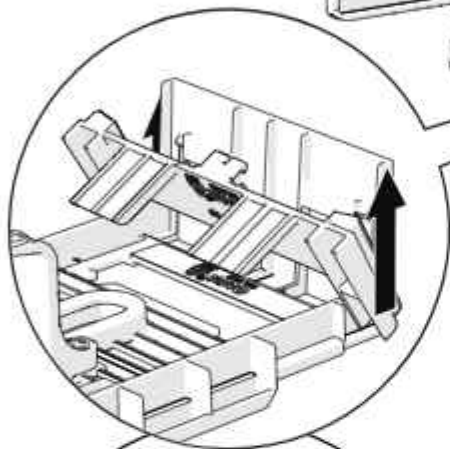
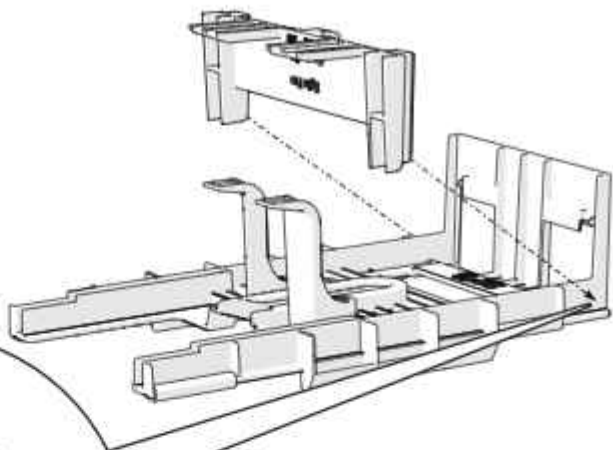
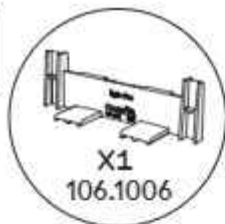
51



52

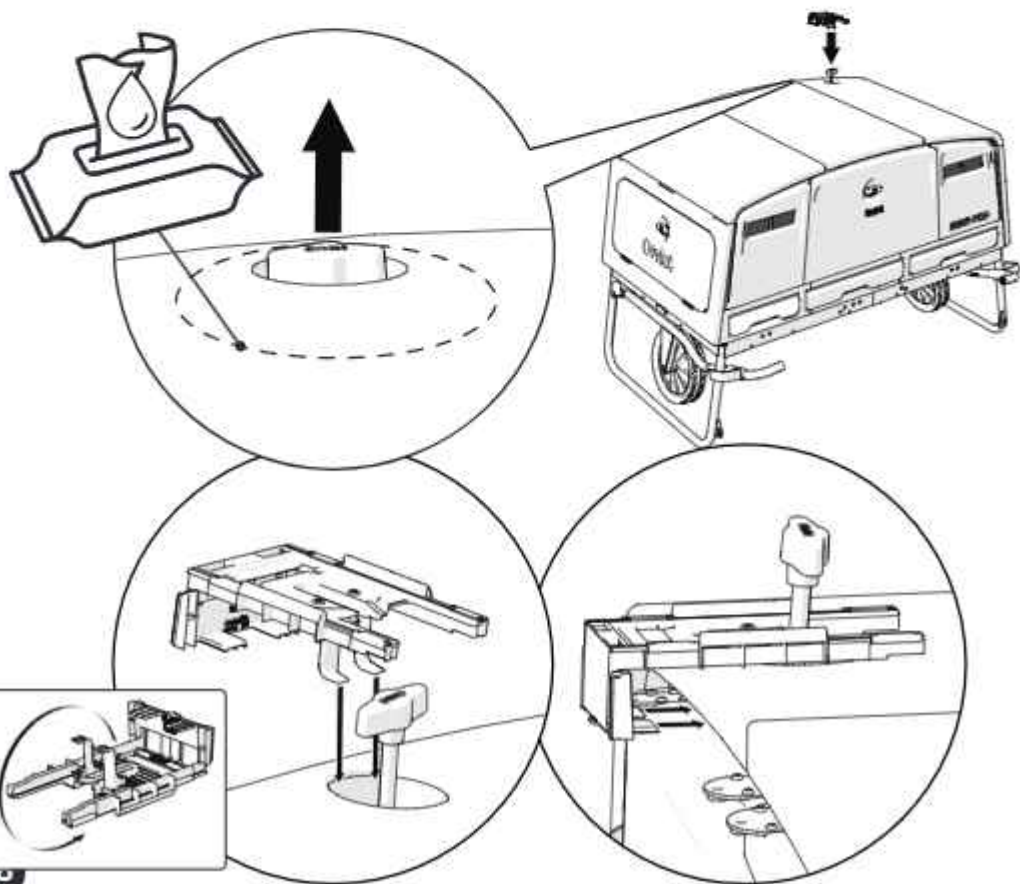


53

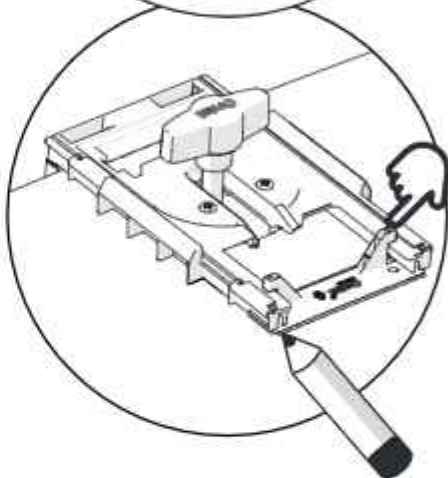
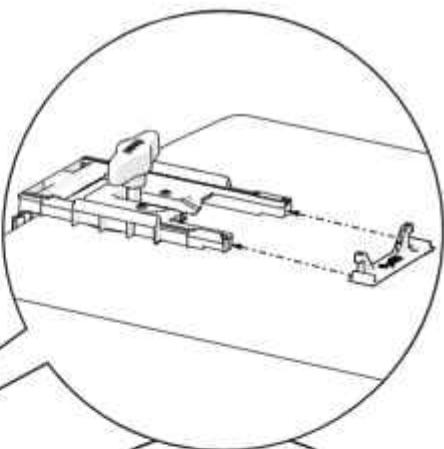
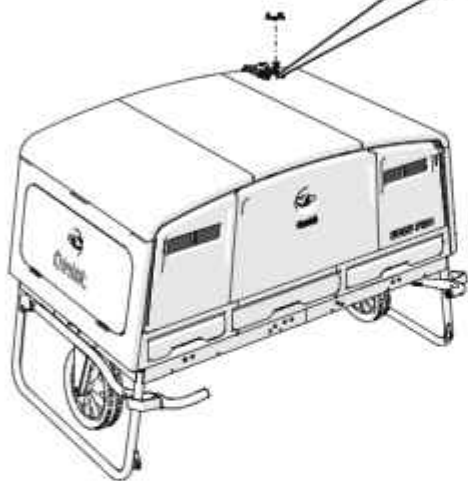


54

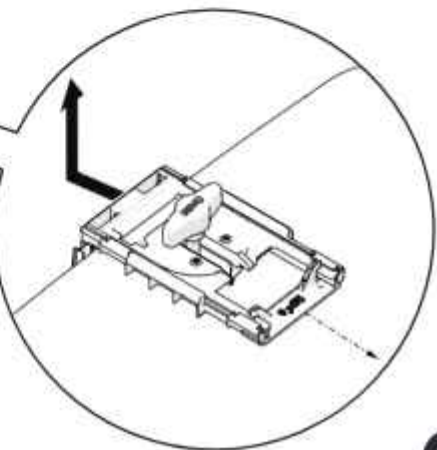
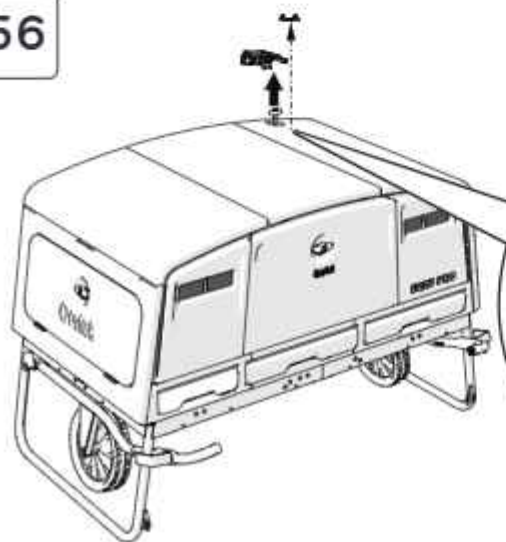
Make sure the area around your T-handle is clean and dry so your **Base Support (106.0014)** can stick to it easily



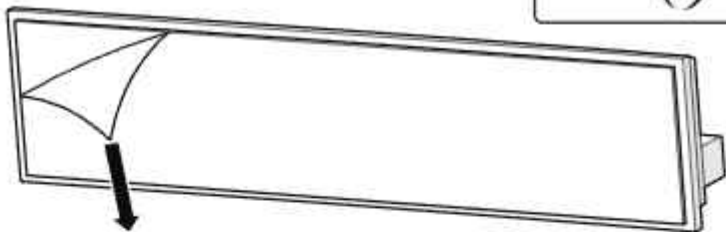
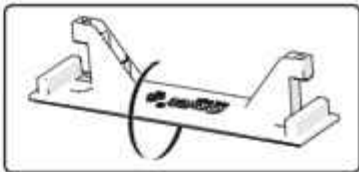
55



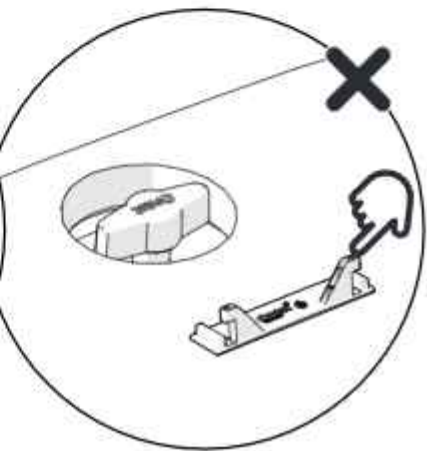
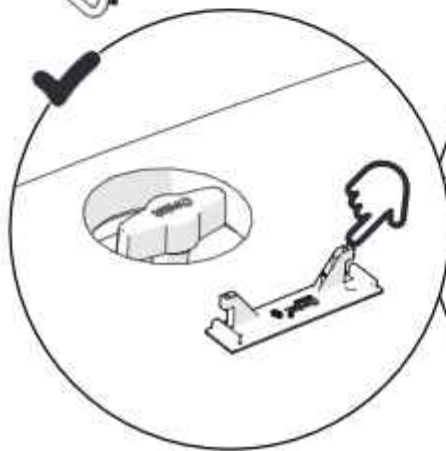
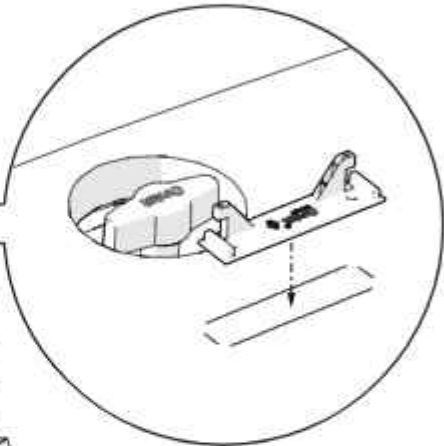
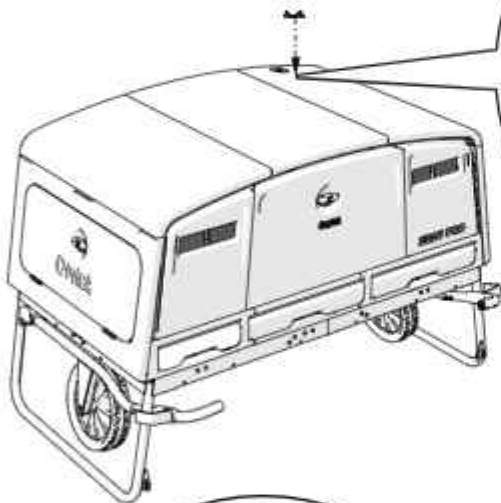
56



57

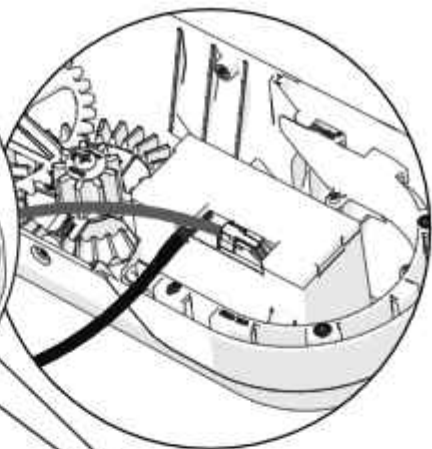
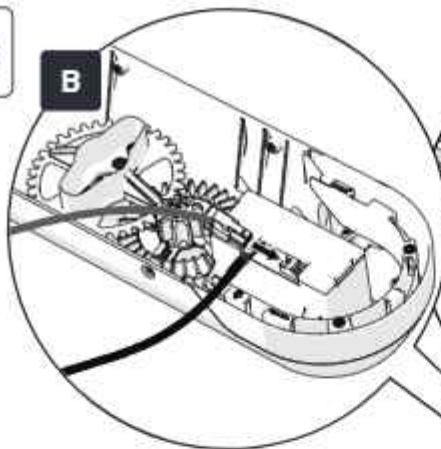


58

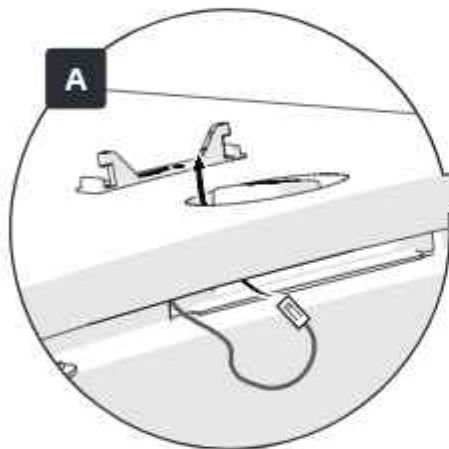


59

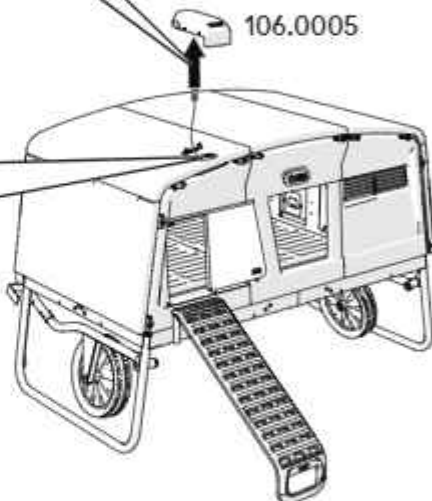
B



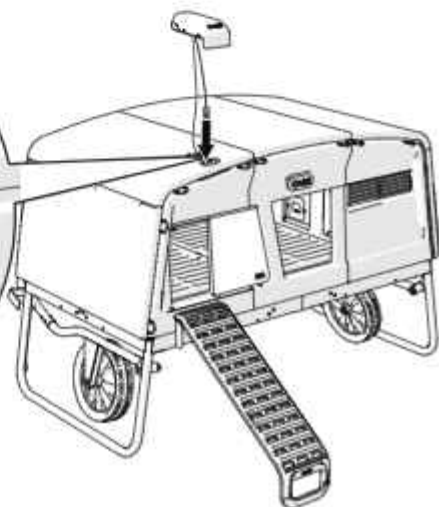
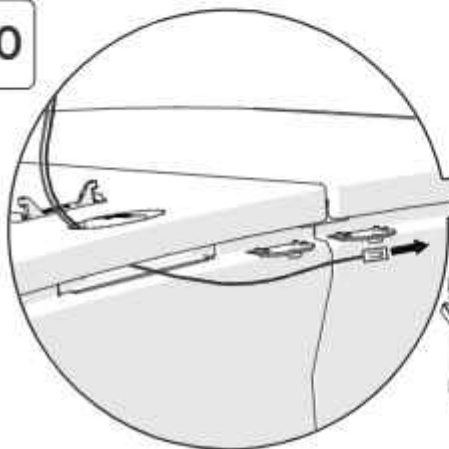
A

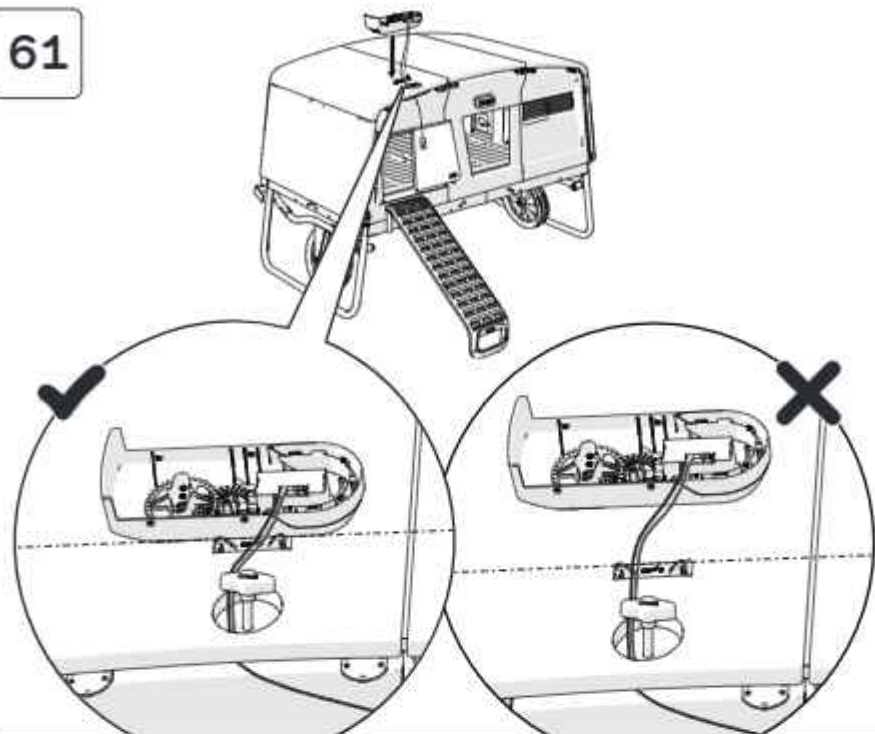


106.0005



60

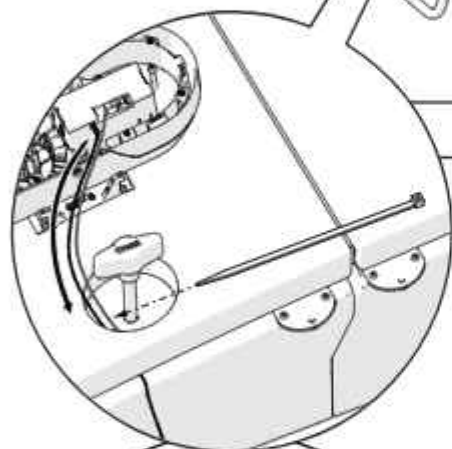
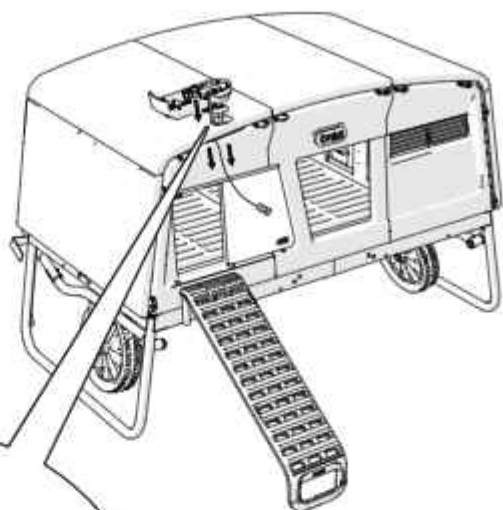
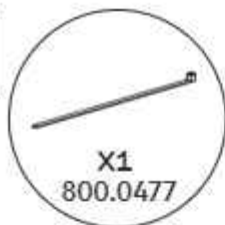




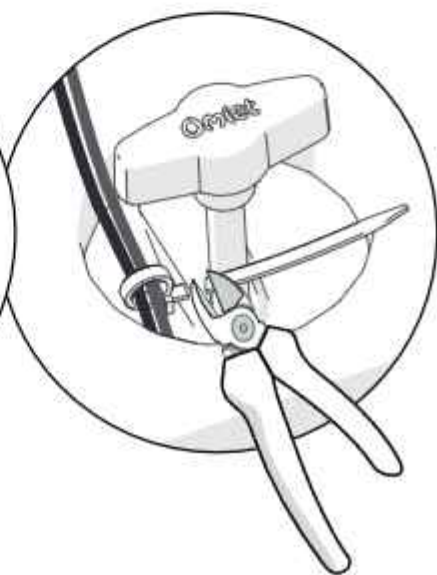
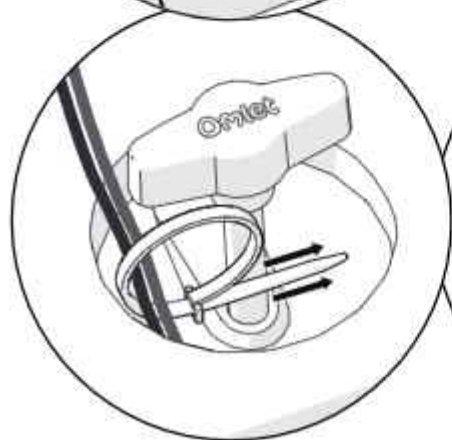
It is very important to position the gear case (106.0005) correctly on top of your coop to ensure wires will be the correct length during the next step



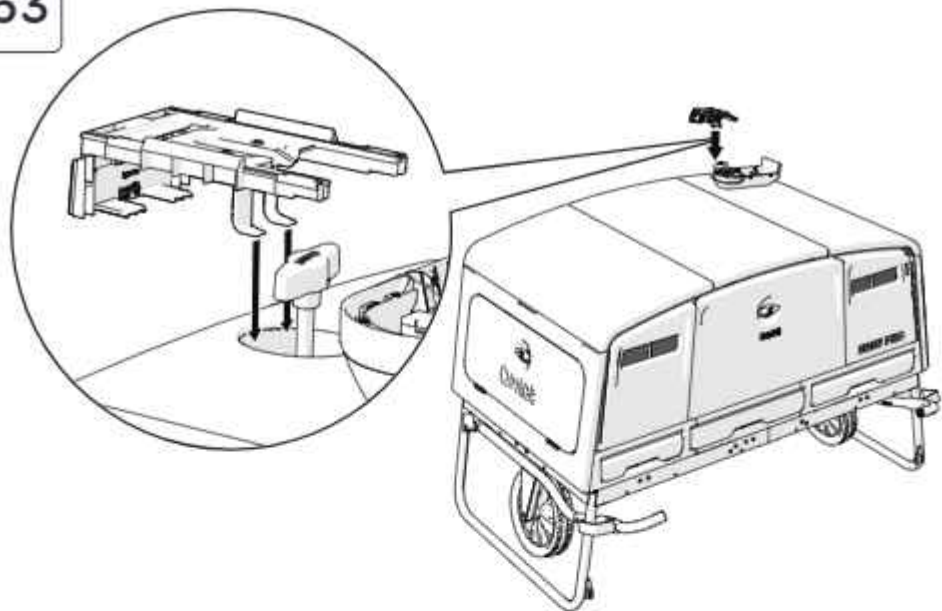
62



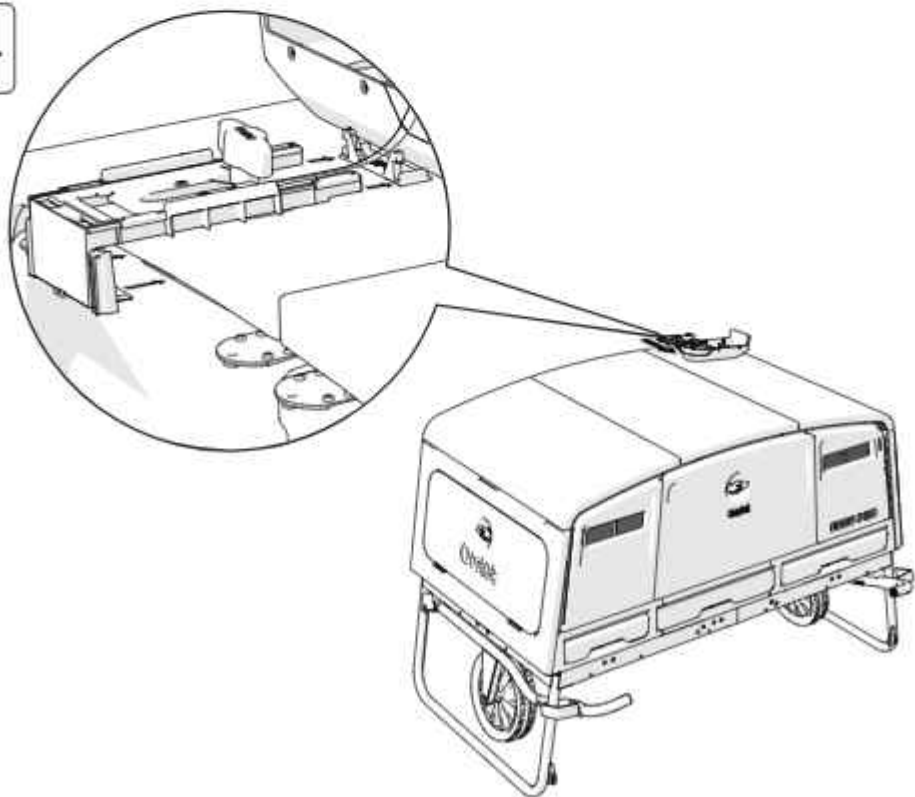
Pull wires tight



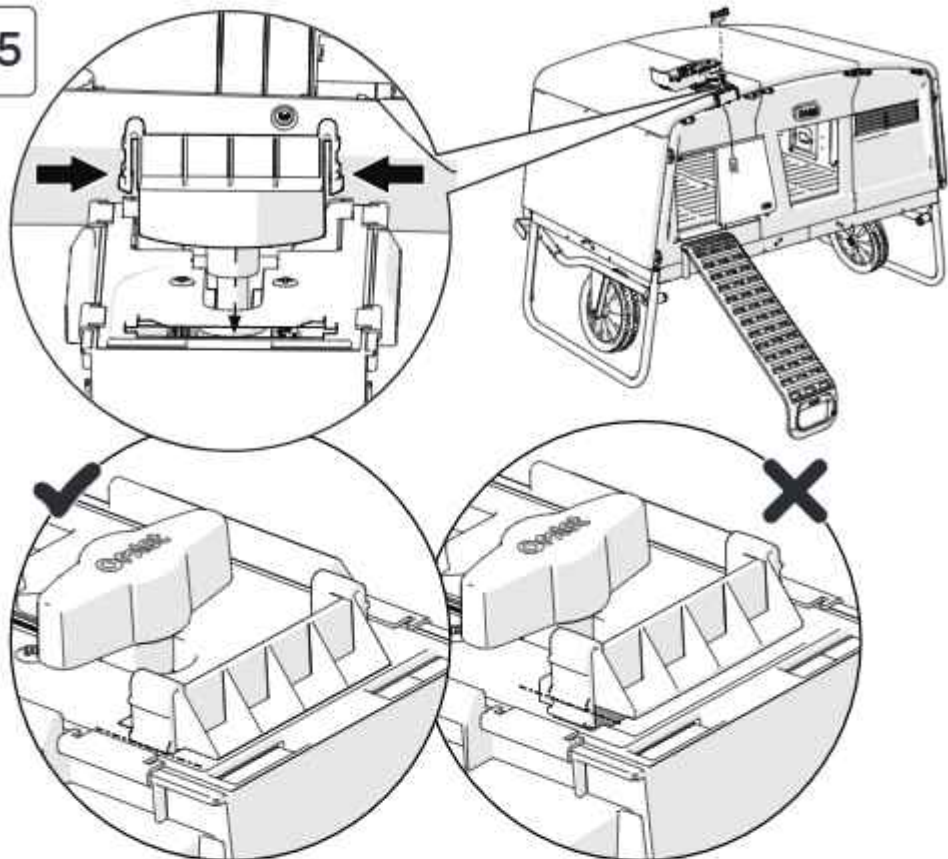
63



64

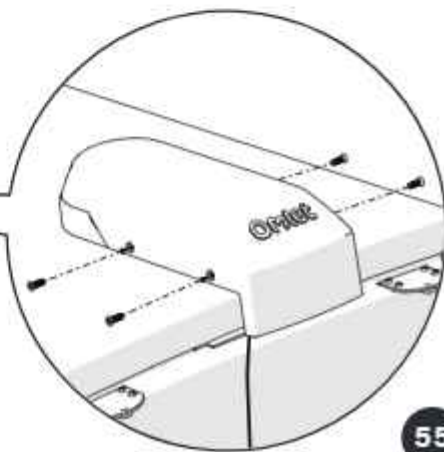
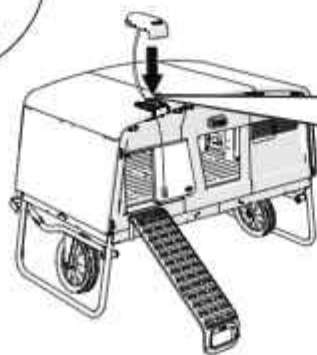


65

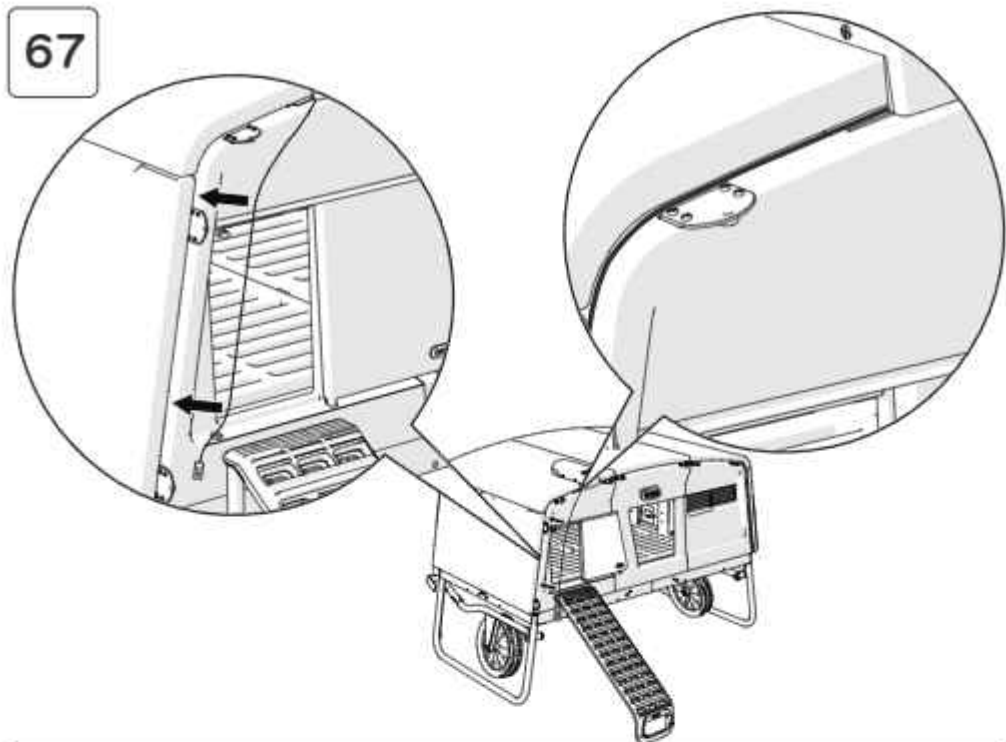


66

Pull wires tight



67



If you are attaching your coop to a Walk In Run Connection Kit

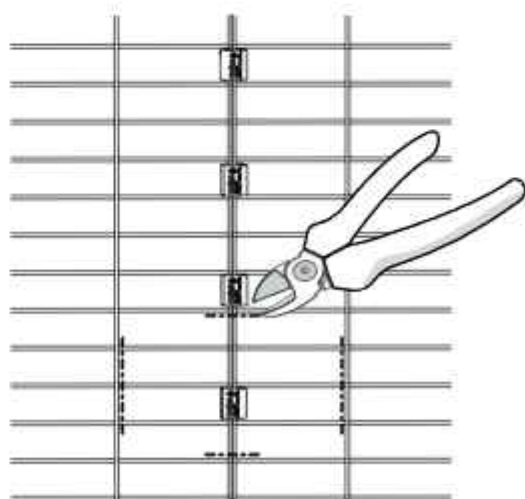
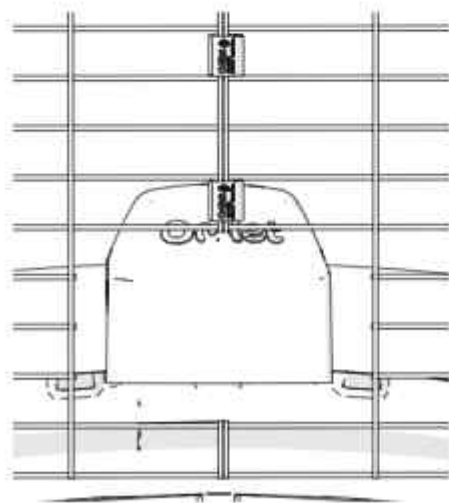
→ 69

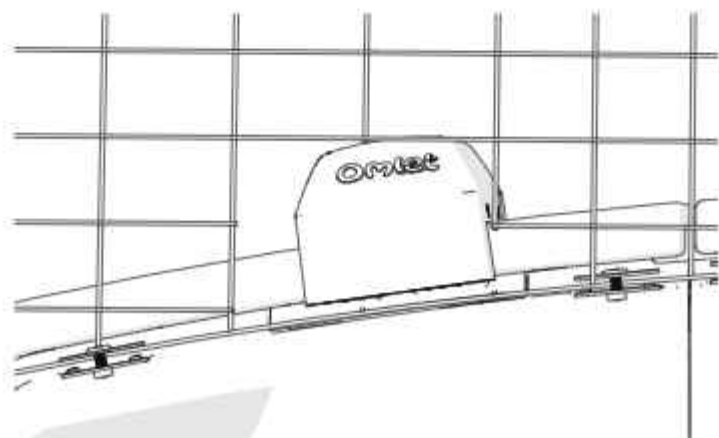
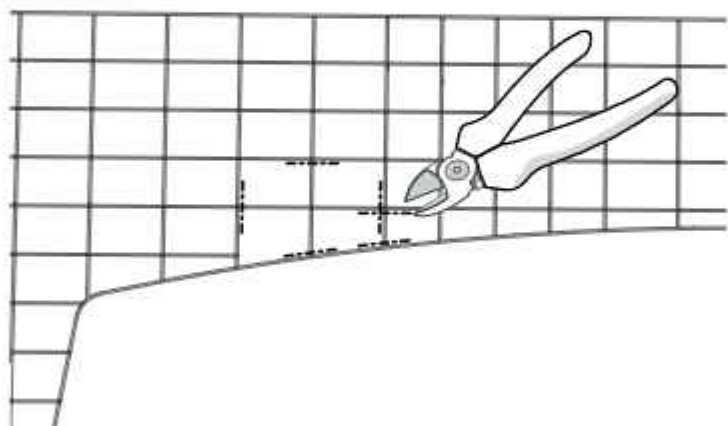
To Assemble the Control Panel (107.0014)

→ 70

68

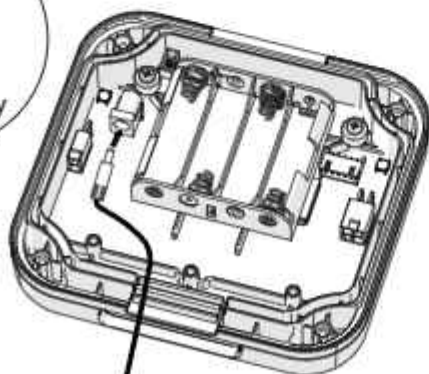
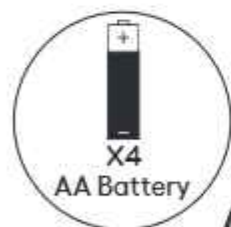
Connecting the Eglu Go with Smart Rotary Eglu Autodoor to a Walk In Run (Connection Kit)





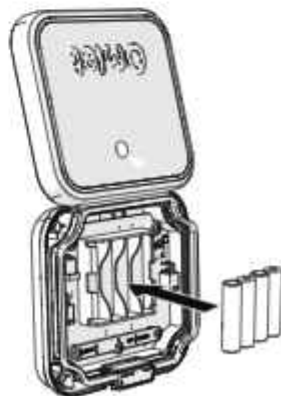
71

If connecting to Wi-Fi then use Power Adaptor.
If not connecting to Wi-Fi then you have the option to use batteries or power supply. Do not use both simultaneously.



Omlet 12V Power
Supply
x1

or
either
of
power
supply
or
batteries



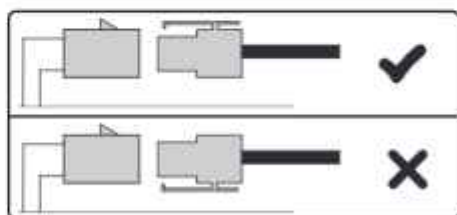
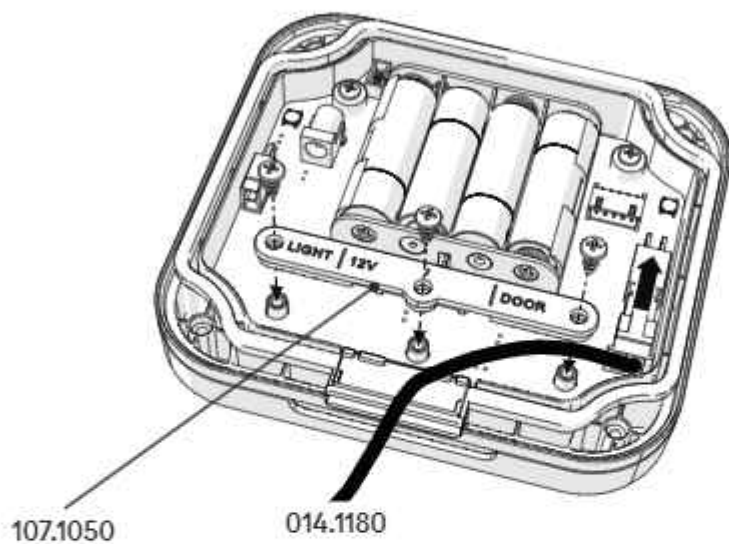
Check your batteries every 3 months. Always use 4 batteries of the same brand and energy level.



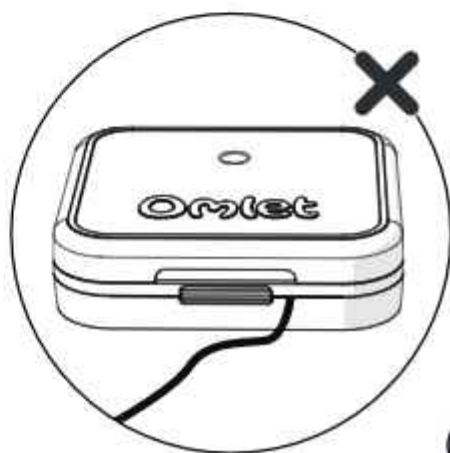
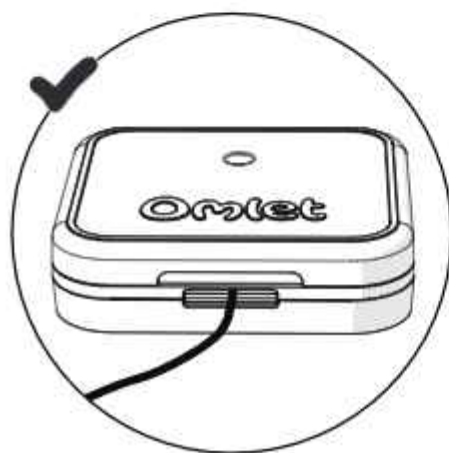
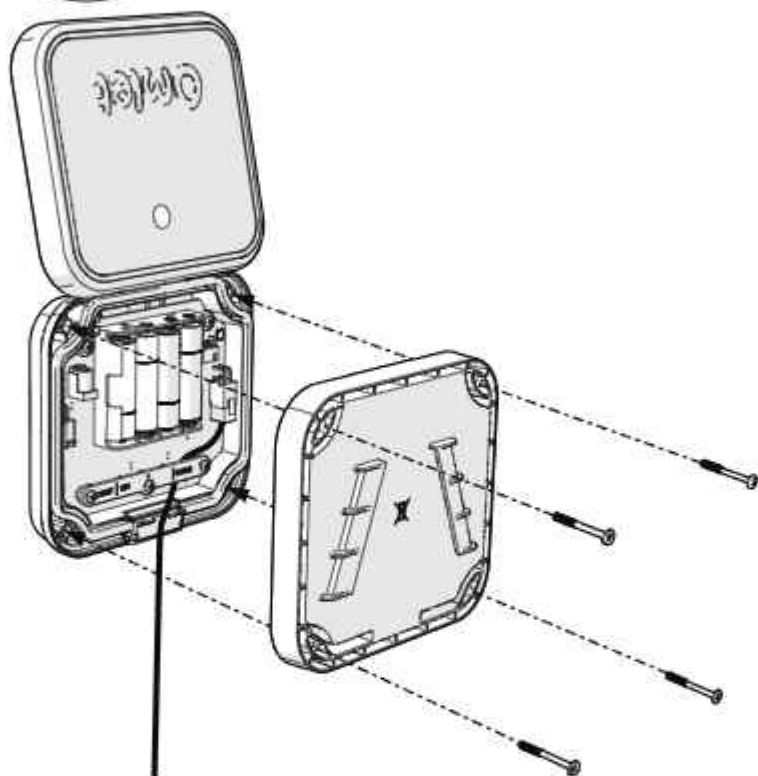
If you have a Coop Light, refer to Coop Light instruction manual now or scan the code or visit: www.omlet.co.uk/instructions



72

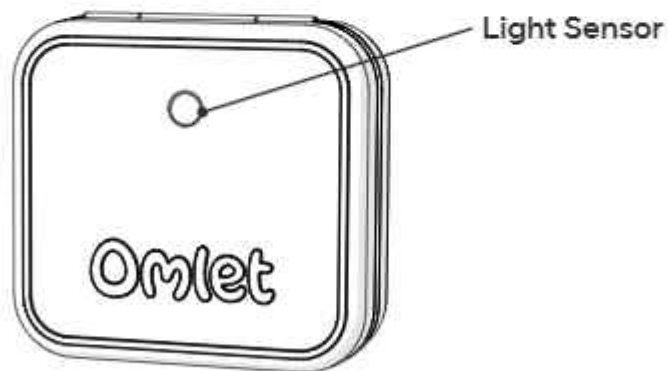


73

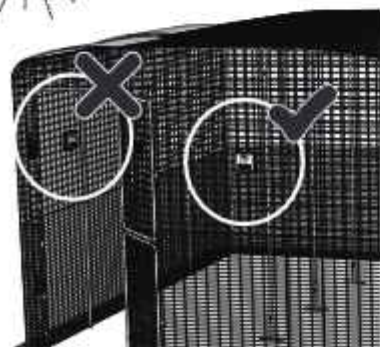
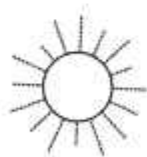


74 Mount the control panel

Mount the Control Panel so that the Light Sensor can receive natural light throughout the day.



Do not put the Control Panel under cover. Be aware, weather conditions, orientation, seasonal light levels and artificial lights around the house and garden can also significantly affect the light reading.



Eglu Go

→ 75

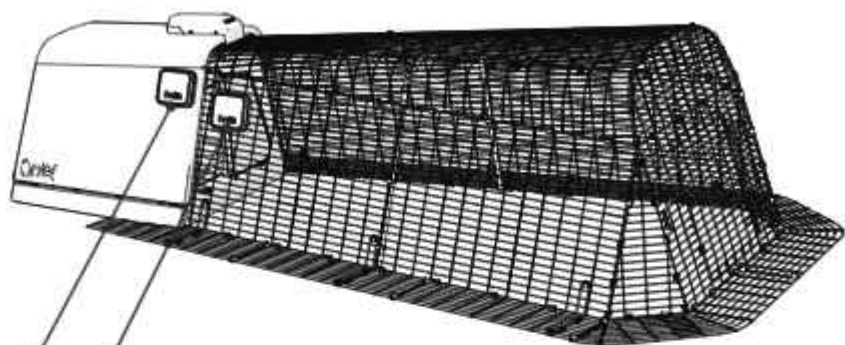
Eglu Cube Mk2

→ 82

Eglu Pro

→ 87

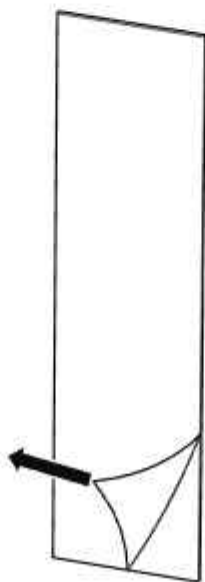
75 Mounting to the Eglu Go



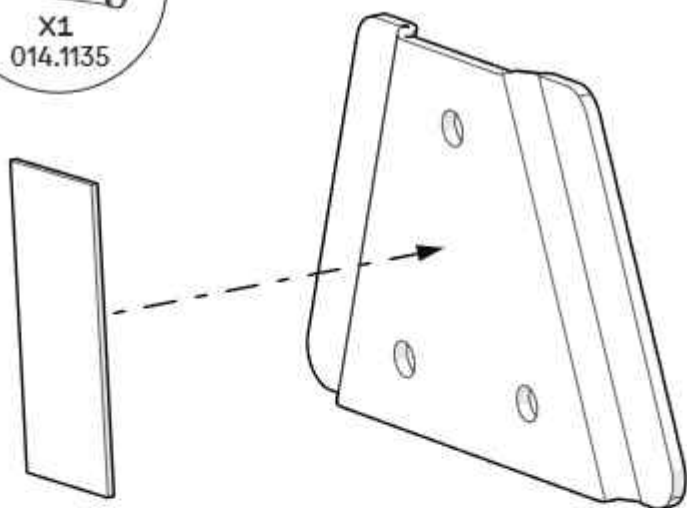
→ 76

→ 80

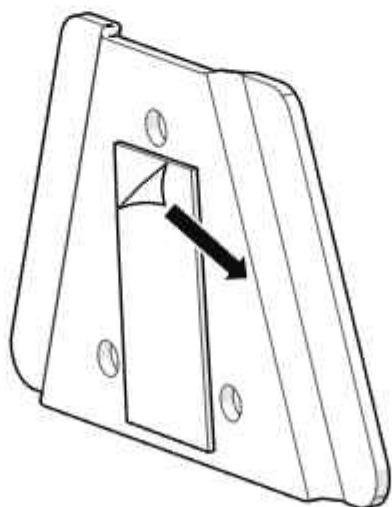
76



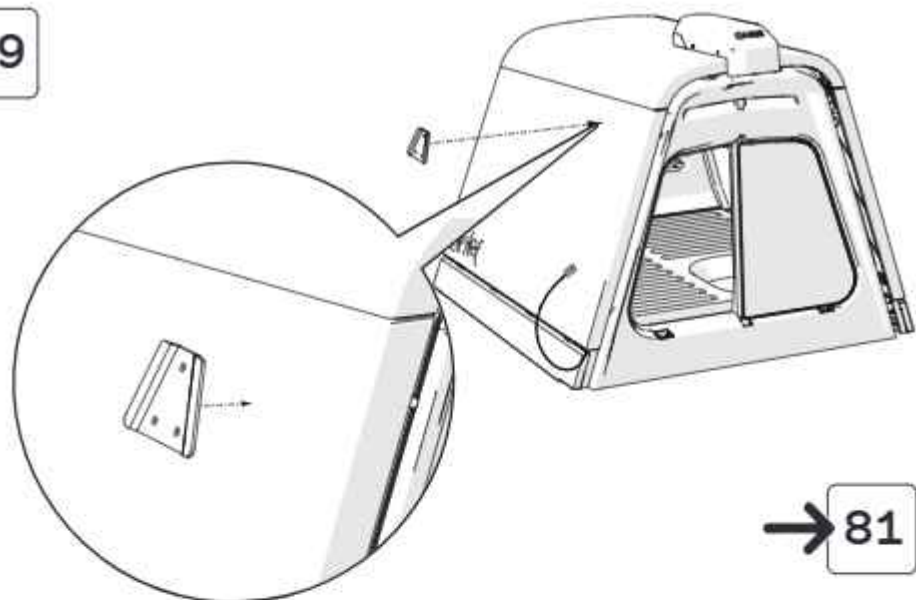
77



78

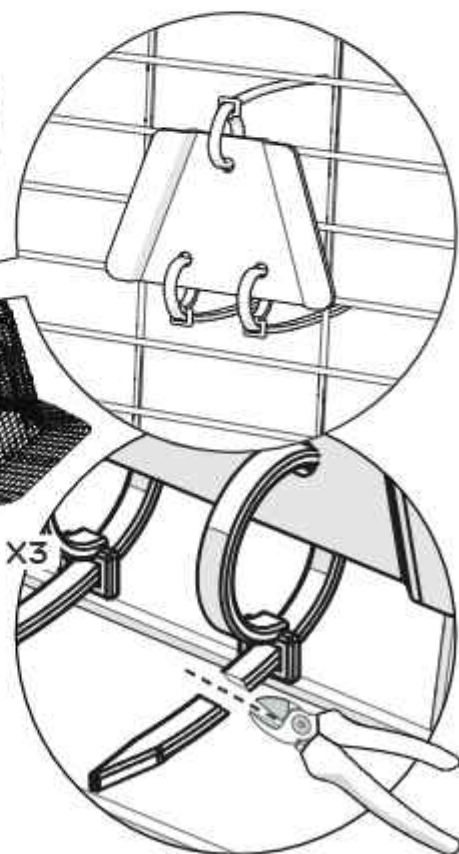
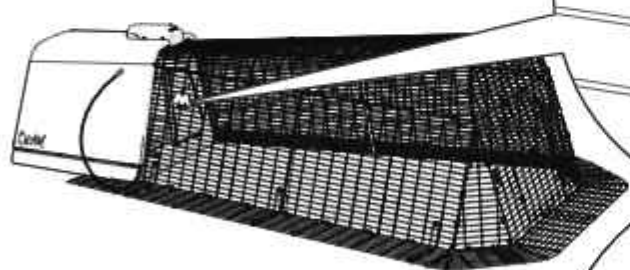
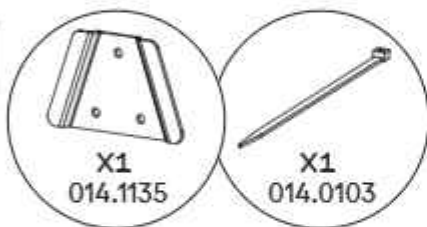


79

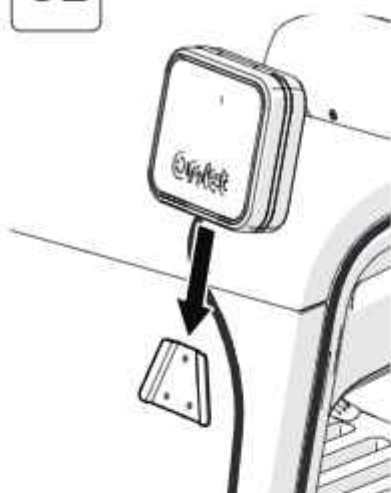


→ 81

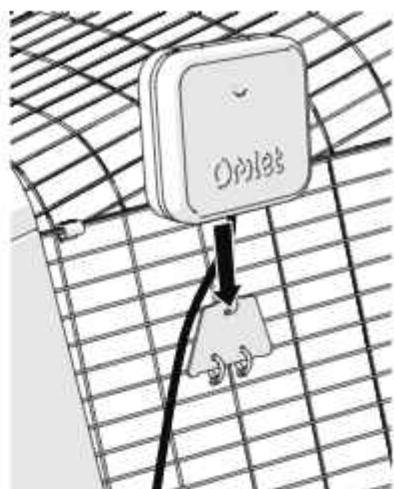
80



81



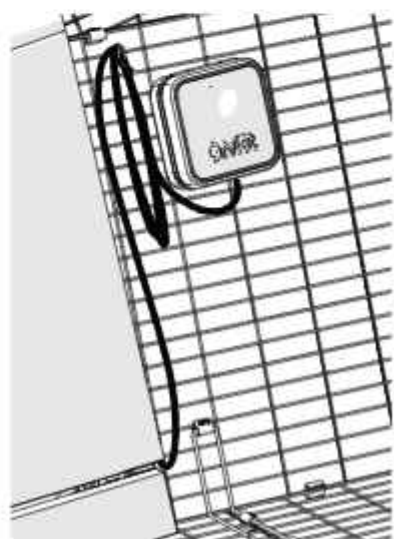
or



82

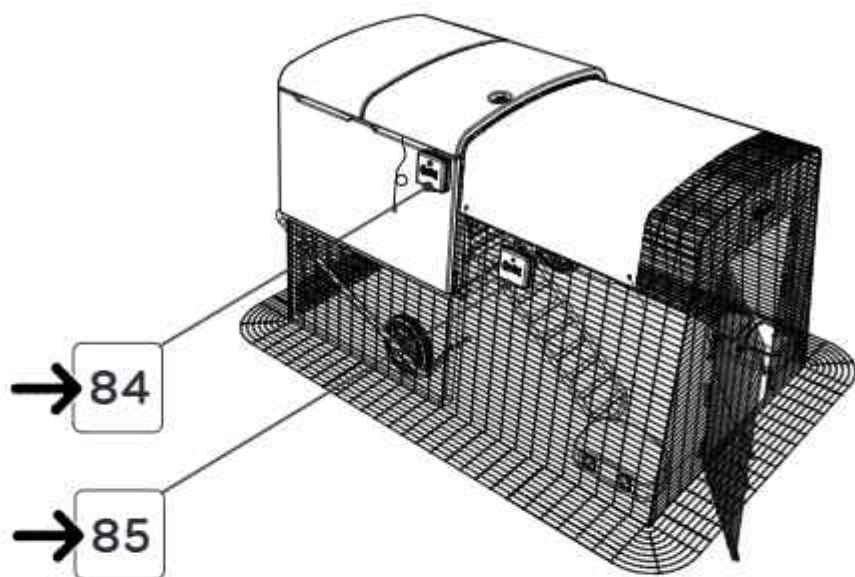


or



→ 92

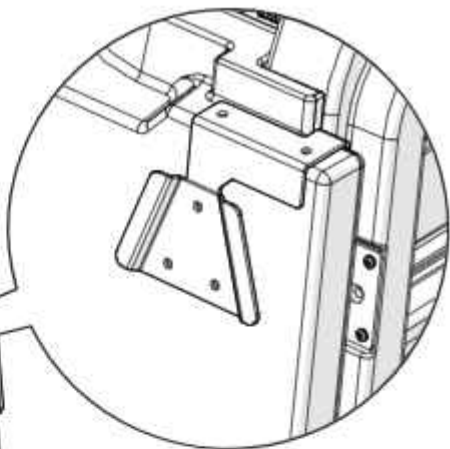
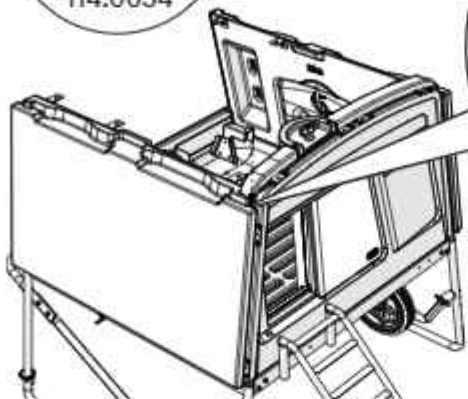
83 Mounting to the Cube



If you haven't removed the roof, you can remove one bolt at the front and pull the corner up to slide the bracket on.

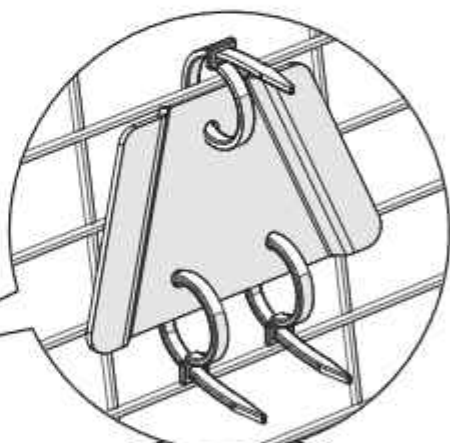
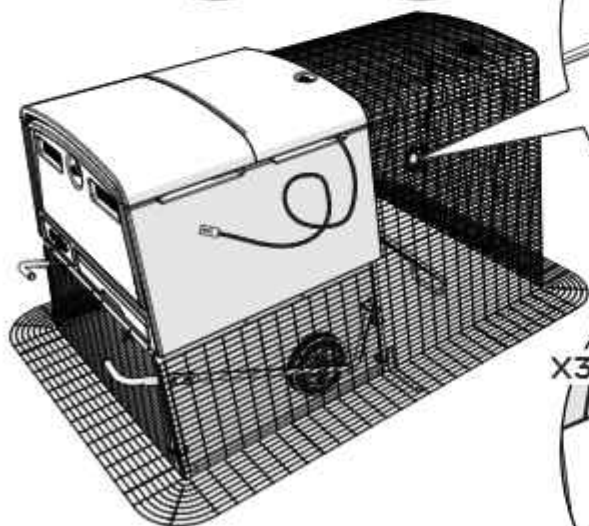
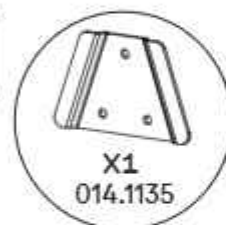


84

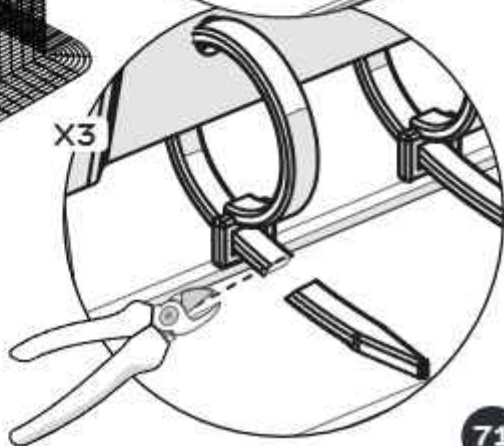


→ 86

85



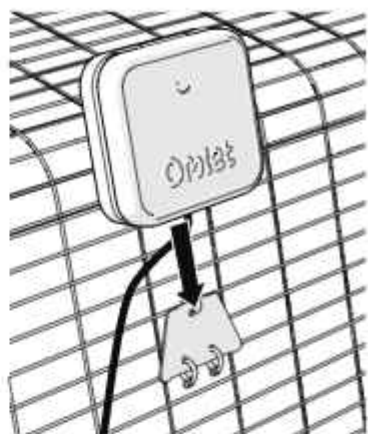
X3



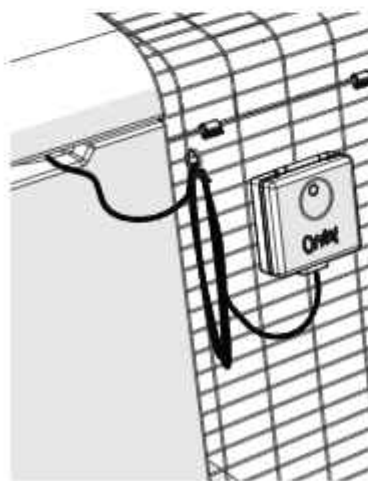
86



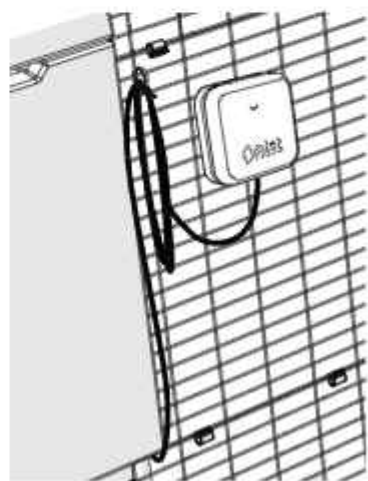
or



87

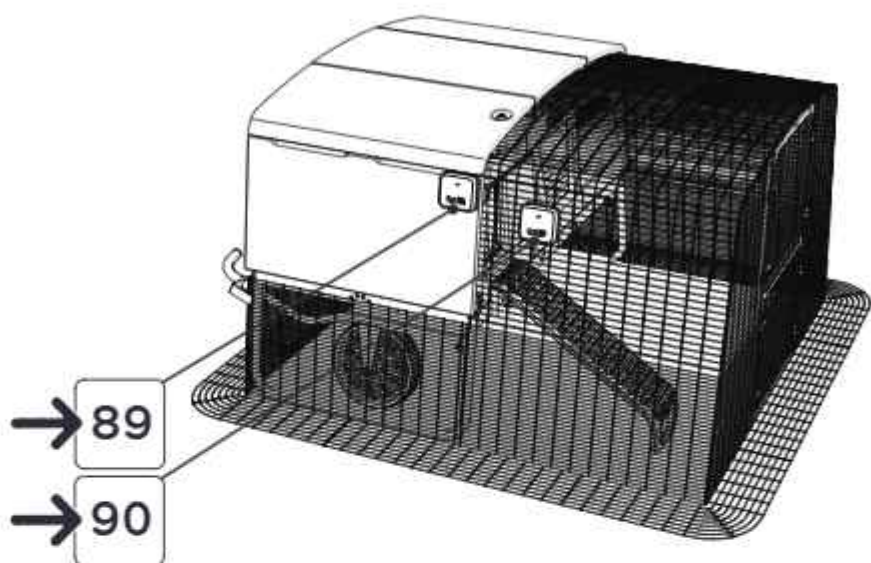


or



→ 93

88 Mounting to the Pro



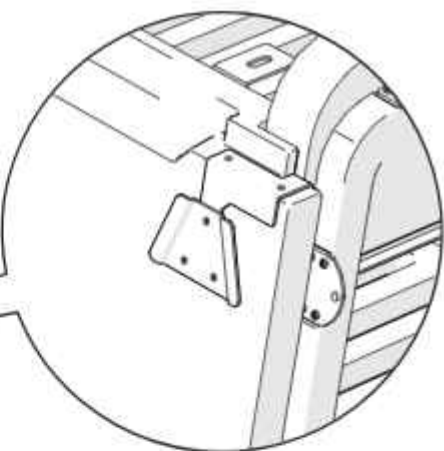
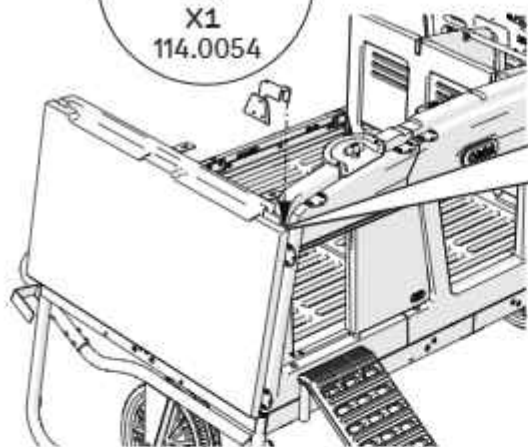
If you haven't removed the roof, you can remove one bolt at the front and pull the corner up to slide the bracket on.



89



X1
114.0054



→ 91

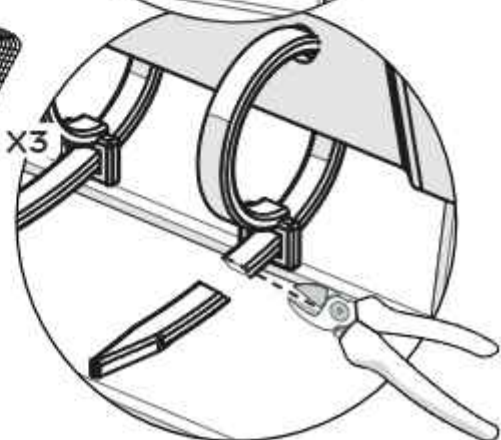
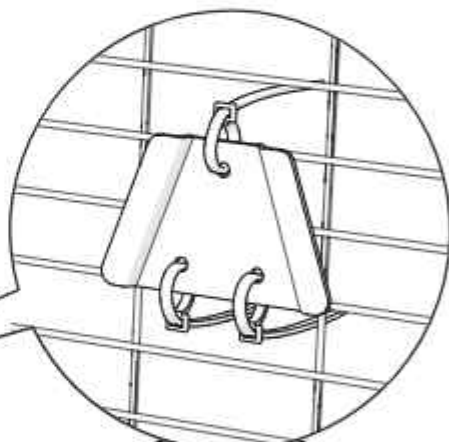
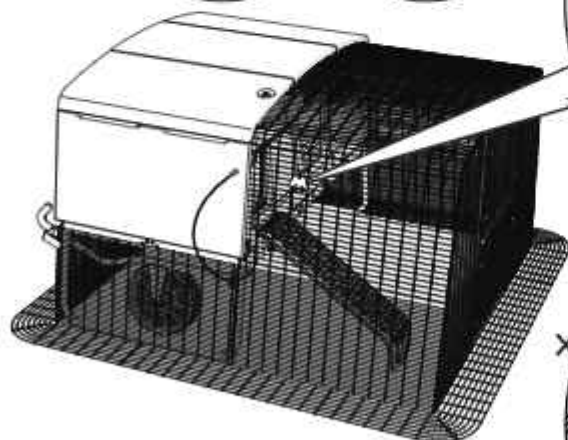
90



X1
014.1135



X1
014.0103

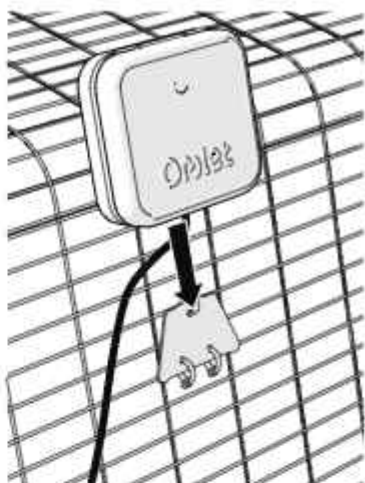


X3

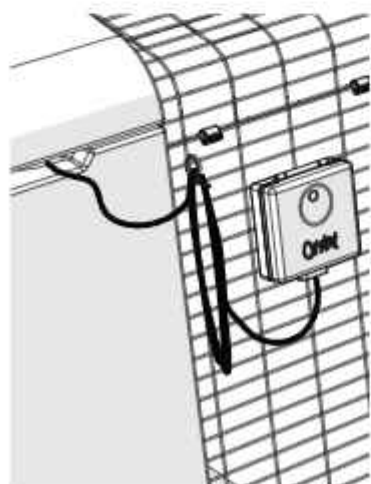
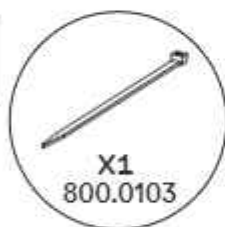
91



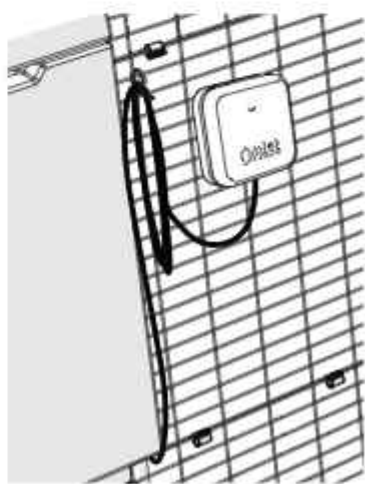
or

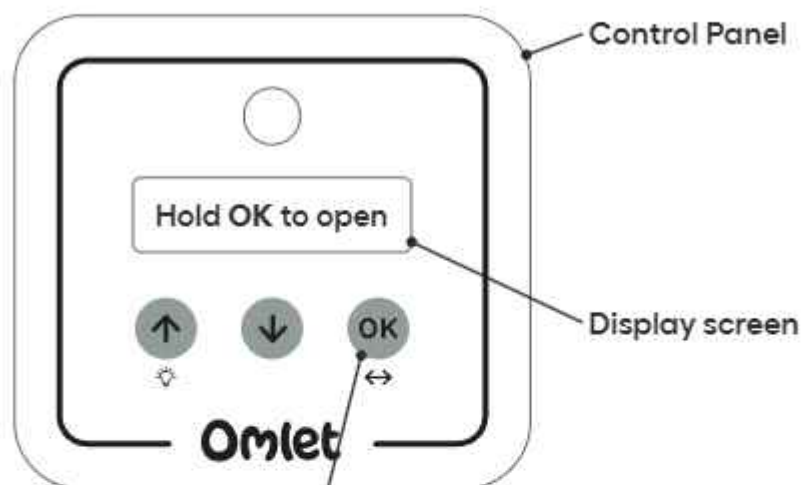


92



or

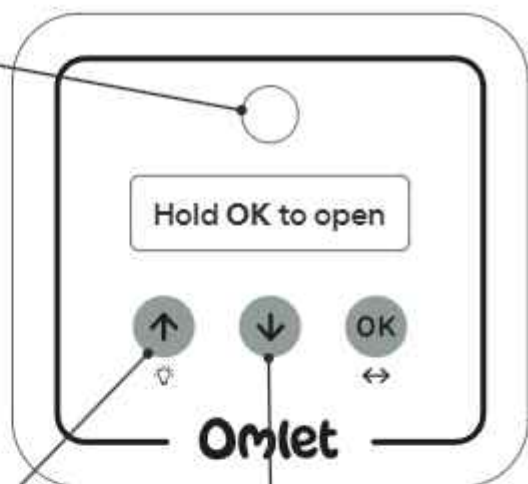




OK Select / OK button

↔ Press & Hold to open/
close door

Light sensor




↑ Scroll UP button

💡 Press & Hold to turn optional light on/off

↓ Scroll DOWN button

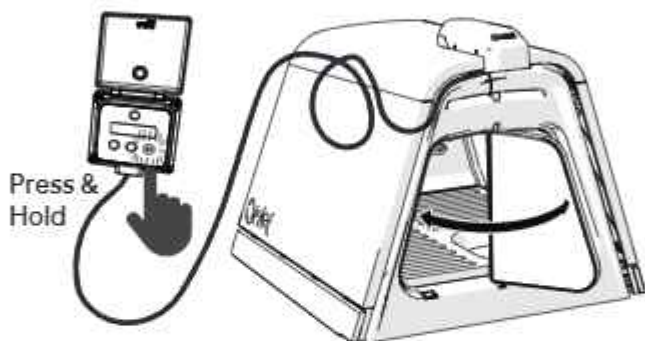
95 Calibration

When you plug your Smart Rotary Eglu AutoDoor in for the first time, it will need to detect the door position. Press & Hold button 


The Smart Rotary Eglu AutoDoor will automatically calibrate itself by moving the door once in each direction. Please ensure the Smart Rotary Eglu AutoDoor is not blocked during calibration.

During Calibration the control panel will read:

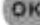
Calibrating...





96 Optional: Change Language

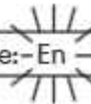
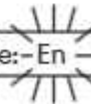
1. Press the  button to scroll through the menu until you reach this screen:

Language: En

2. Press & Hold  enable changing the language. The current language will flash

Language:  En 

3. Use   scroll through the languages until you reach the desired language


Language:  En 

4. Press and hold  confirm the language update

--Saved--

97 Selecting your Smart Rotary Eglu AutoDoor mode

The Smart Rotary Eglu AutoDoor has 3 modes:

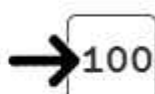
• **MANUAL** - The door will open and close if you Press & Hold  button.






• **TIME** - You can set the Smart Rotary Eglu AutoDoor to open and close at specific times of the day.



• **LIGHT** - This is the default mode. The Smart Rotary Eglu AutoDoor will open using the light sensor.




98 Manual Mode



Press any of the three buttons    and the screen will read:

Hold to Open

or

Hold to Close

Hold the  button to either open or close the door.

To proceed through the menu press   to scroll up & down through the menu items.

In the Manual Mode menu you see the following:

Hold to Open

This displays the battery charge level.

Battery: 100%

This displays the current Mode setting.

1. Mode: Manual

This gives you the option to reset the Control Pack back to its default settings following any changes you make.

5. Factory Reset

99 Time Mode



The Smart Rotary Eglu AutoDoor uses the 24-hour clock, to prevent any ambiguity. The time will reset when batteries are taken out. Make sure to update the current time after every battery exchange.

Setting the Mode

1. Press for a short time to scroll through the options until you reach the mode
2. Press & Hold to enable changing the value. The current mode will flash
3. Use to scroll through the modes
4. Press & Hold to confirm the value change

1. Mode: Manual

1. Mode: Manual

1. Mode: Manual

1. Mode: Time

--Saved--

Setting the Current Time

1. Press for a short time to scroll through the options until you reach the mode menu item
2. Press & Hold until the minutes begin to flash
3. Press or to set the minutes
4. Press to switch to hours which will flash to confirm they are selected
5. Press or to set the hours
6. Press & Hold to confirm. The display will read -saved-

2. Time: 14:23

2. Time: 14:-23-









2. Time: 14:-05-

2. Time:-14-:05

2. Time:-18-:05

--Saved--

Setting the Opening Time

1. Press  for a short time to scroll through the options you reach the display on the right
2. Press & Hold  until the minutes begin to flash
3. Press  or  to set the minutes
4. Press  to switch to hours which will flash to confirm they are selected
5. Press  or  to set the hours
6. Press & Hold  to confirm.

3. Open @ 01:00

3. Open @ 01:-00-









3. Open @ 01:-30-

3. Open @ -01:-30

3. Open @ -08:-30

--Saved--

Setting the Closing Time

1. Press  for a short time to scroll through the options you reach the display on the right
2. Press & Hold  until the minutes begin to flash
3. Press  or  to set the minutes
4. Press  to switch to hours which will flash to confirm they are selected
5. Press  or  to set the hours
6. Press & Hold  to confirm.

4. Close @ 01:00

4. Close @ 01:-00-

4. Close @ 01:-15-

4. Close @ -01:-15

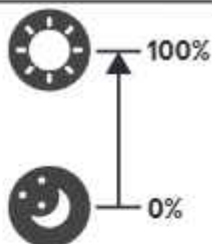
4. Close @ -19:-15

--Saved--


100 Light Mode




If the light level where the control panel is located changes frequently (busy neighbourhood) light mode may not function as expected - please switch to Time Mode



Setting the Mode

1. Press  for a short time to scroll through the options until you reach the mode

1. Mode: Manual

2. Press & Hold  to enable changing the value. The current mode will flash

1. Mode: Manual

3. Use   to scroll through the modes

1. Mode: Manual

1. Mode: Light


4. Press & Hold  to confirm the value change

--Saved--


Setting the Light Opening Level



The door opening light level should be set to a higher percentage than the door closing light level. The two values should at least be 10% apart from each other. We recommend starting with 13 and 3, then adjust to suit as the location of the coop can effect the light levels. Adjustments may be needed with the change of seasons.

1. Press  for a short time to scroll through the options until you reach the display on the right

3. Open @ 27

2. Press & Hold  until the numbers begin to flash

3. Open @ 27






3. Press  or  to set the level

3. Open @ 13

4. Press & Hold  to confirm

--Saved--

Setting the Light Closing Level

1. Press  for a short time to scroll through the options until you reach the display on the right
2. Press & Hold  until the numbers begin to flash
3. Press  or  to set the level
4. Press & Hold  to confirm

4. Close @ 6

4. Close @  6






4. Close @  3

--Saved--

Setting the Open Delay



The autodoor has a default factory delay set at 20 minutes after the light reaches the required level. You cannot go below 20 minutes and can only manually set additional delay minutes. This is in order to prevent any accidental opening or closing of the door when the light level changes for short periods of time, e.g. if a car drove past with headlights on.

1. Press  for a short time to scroll through the options until you reach the display on the right
2. Press & Hold  until the numbers begin to flash
3. Press  or  to set the minutes
4. Press & Hold  to confirm

5. Open Delay 0m

5. Open Delay  0m





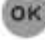
5. Open Delay  7m

--Saved--

Setting the Close Delay



Same principle as at opening delay - See above.

1. Press  for a short time to scroll through the options until you reach the display on the right
2. Press & Hold  until the numbers begin to flash
3. Press  or  to set the minutes
4. Press & Hold  to confirm

6. Close Delay 0m

6. Close Delay  0m

6. Close Delay  10m

--Saved--

In the event that

- 1) the motor fails,
- 2) the batteries go flat,
- 3) or there is any other blockage

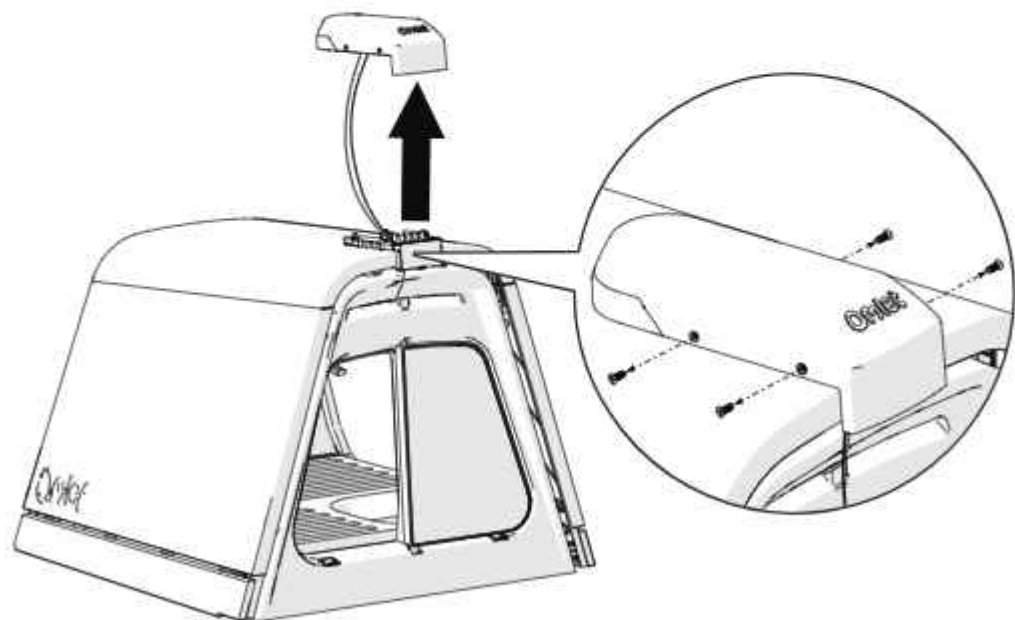
you can move the door manually by removing the gear case (106.0005) and using the T-Handle, as well as trying out the following



102



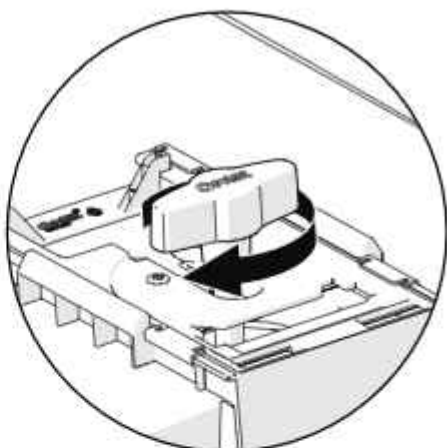
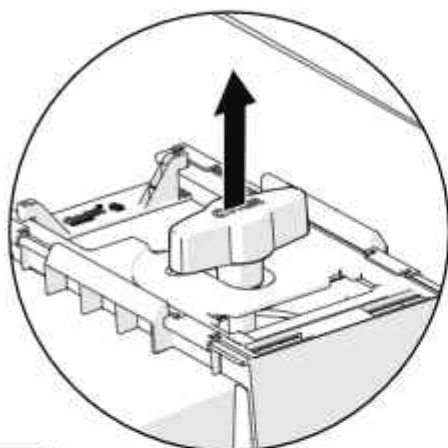
Keep the Parts safe until Step 106



While troubleshooting keep the Gear Case (106.0005) close to T-Handle to keep the wires at the correct length. If necessary pull the wires tight again while replacing the Gear Case (106.0005) in Step 106

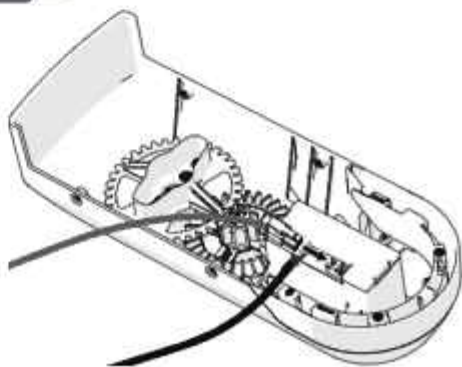


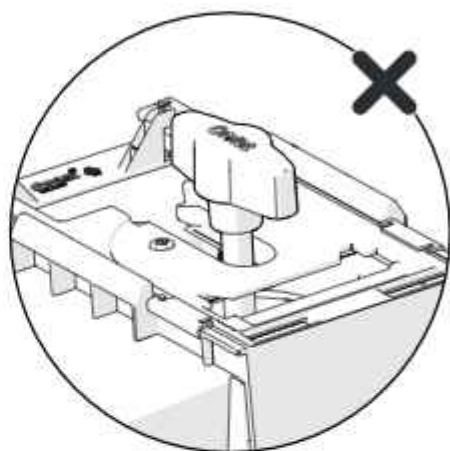
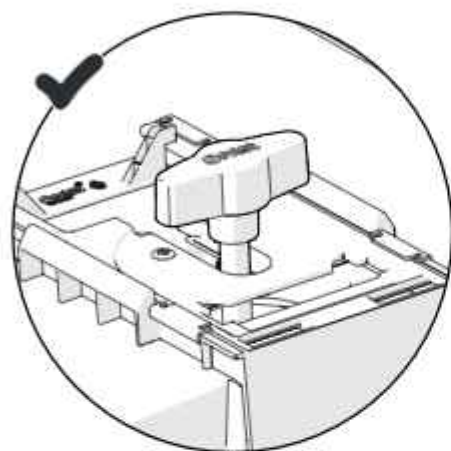
103 Manually Moving the Door

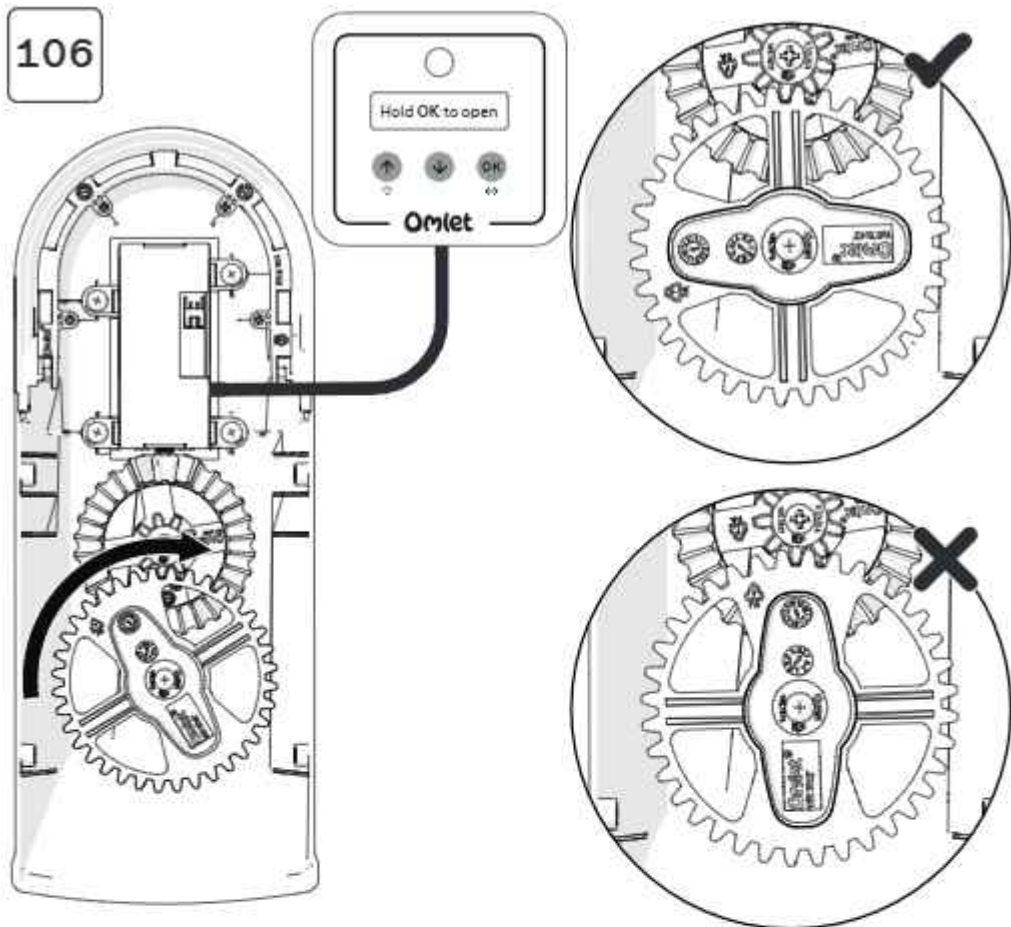


104 Troubleshooting the Door Switch (106.0017)

Make sure the wire is connected properly





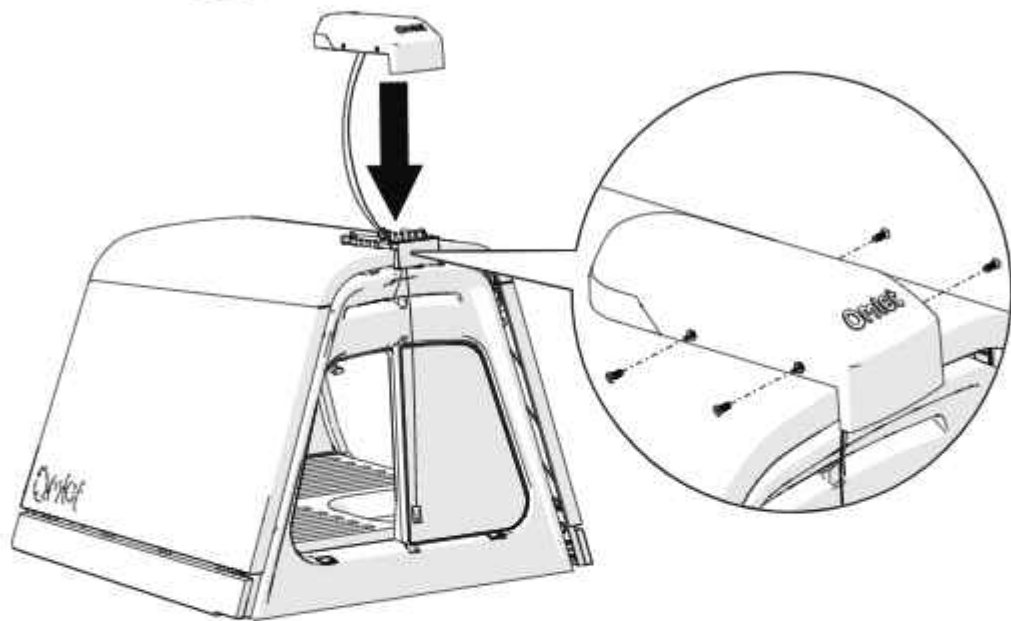


Hold the **OK** button until the motor spins. Press **OK** to stop the motor when it is in the correct position

102



Pull wires tight



After rain in freezing temperatures, sleet or snow you may need to defrost your Autodoor to restore proper function to moving parts. To do this we recommend pouring warm (not boiling) water over any affected parts and then drying them



HERE'S WHERE IT STARTS



Omlet



Please reuse,
compost,
recycle.

© Copyright Omlet Ltd. 2024

Design registered, patent pending

Omlet and Eglu are registered trademarks of Hebe Studios Ltd.

820.2408_Instruction Manual Smart Rotary Eglu
Autodoor_22/07/2024



FR

Cet appareil,
ses accessoires
et cordons
se recyclent

À DÉPOSER
EN MAGASIN



À DÉPOSER
EN DÉCHÈTERIE



ou

Points de collecte sur www.quelheredemadecrets.fr
Privilégiez la réparation ou le don de votre appareil !

